

ASSEMBLY INSTRUCTIONS BASE CABINET (B09,B12,B15,B18,B21)

CABINET PARTS LIST

A-Doors & Face Frame B-End Panels (2) C-Shelf D-Bottom Panel
E-Back Panel H-Toe Kick G-Drawer Parts

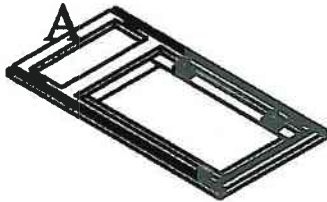
DRAWER PARTS LIST

a-Front b-Sides (2) c-Bottom d-Back e-Drawer Slides (1 pr) f-Screws (\varnothing 3*30-8)

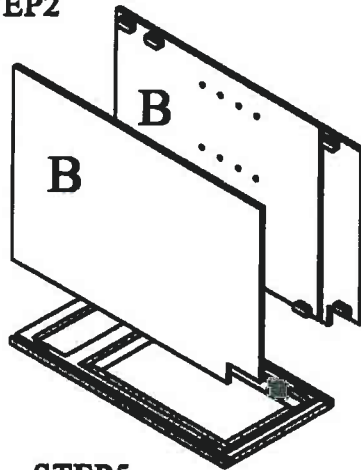
HARD WARE PARTS LIST

1. Shelf Clips (4) 2. Corner Braces (4) 3. Screws (\varnothing 3.5*25-4) 4. Screws (\varnothing 3*12-8)
5. Screws (\varnothing 3*10-2)

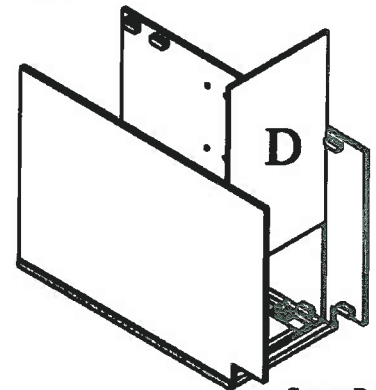
STEP1



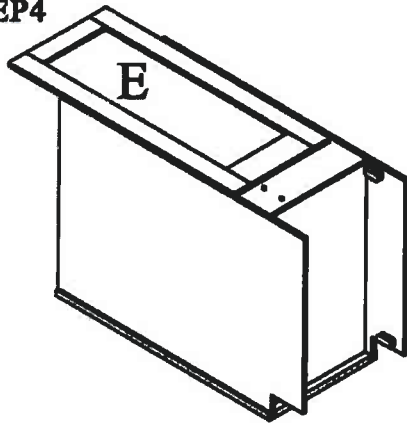
STEP2



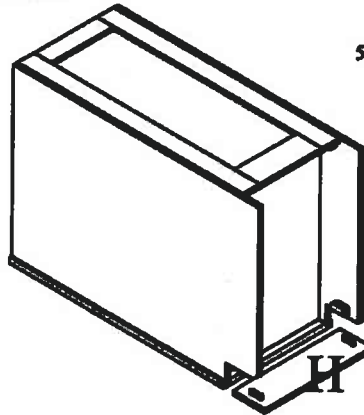
STEP3



STEP4

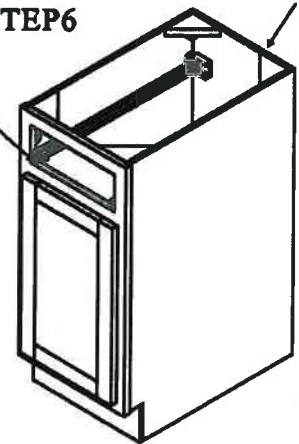


STEP5

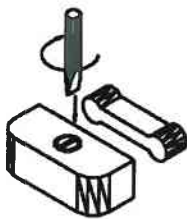


STEP6

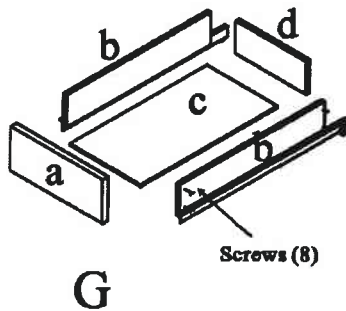
5. Screws (2)



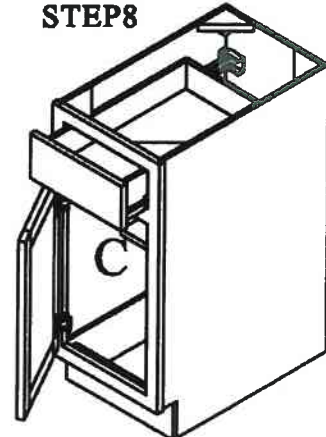
LINK



STEP7



STEP8



ASSEMBLY INSTRUCTIONS

BASE CABINET (B24, B27, B30)

CABINET PARTS LIST

A-Doors & Face Frame B-End Panels (2) C-Shelf D-Bottom Panel
E-Top Back Panel H-Toe Kick G-Drawer Parts

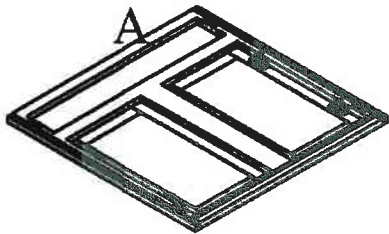
DRAWER PARTS LIST

a-Front b-Sides (2) c-Bottom d-Back e-Drawer Slides (1 pr) f-Screws (\varnothing 3*30-8)

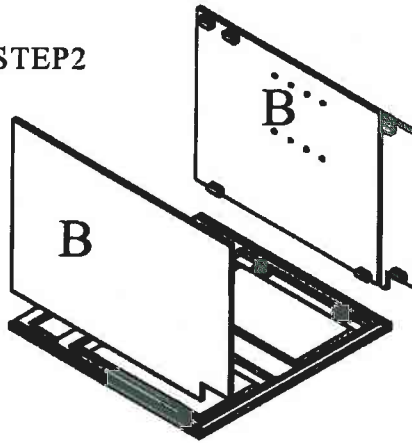
HARD WARE PARTS LIST

1. Shelf Clips (4) 2. Corner Braces (4) 3. Screws (\varnothing 3.5*25-4) 4. Screws (\varnothing 3*12-8)
5. Screws (\varnothing 3*10-2)

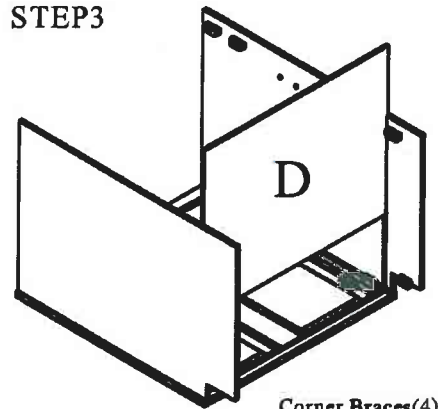
STEP1



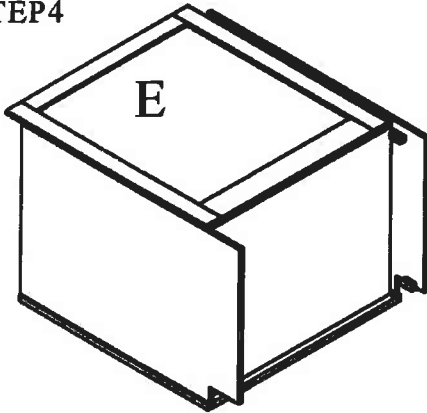
STEP2



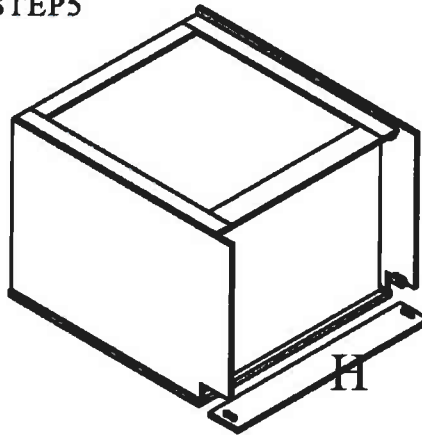
STEP3



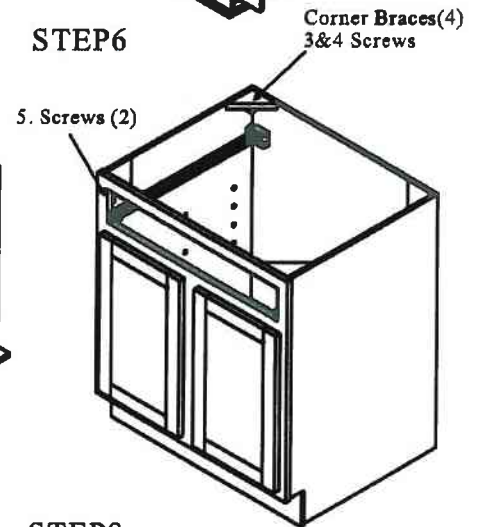
STEP4



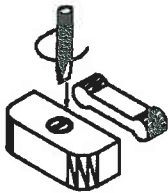
STEP5



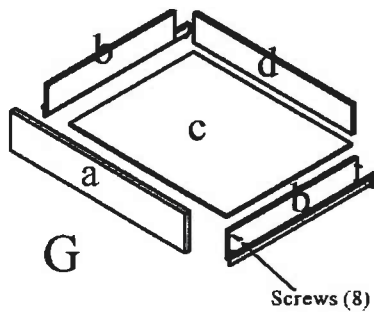
STEP6



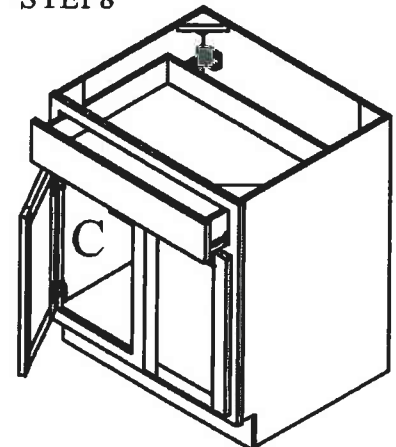
LINK



STEP7



STEP8



ASSEMBLY INSTRUCTIONS

BASE CABINET (B33, B36, B39, B42, B48)

CABINET PARTS LIST

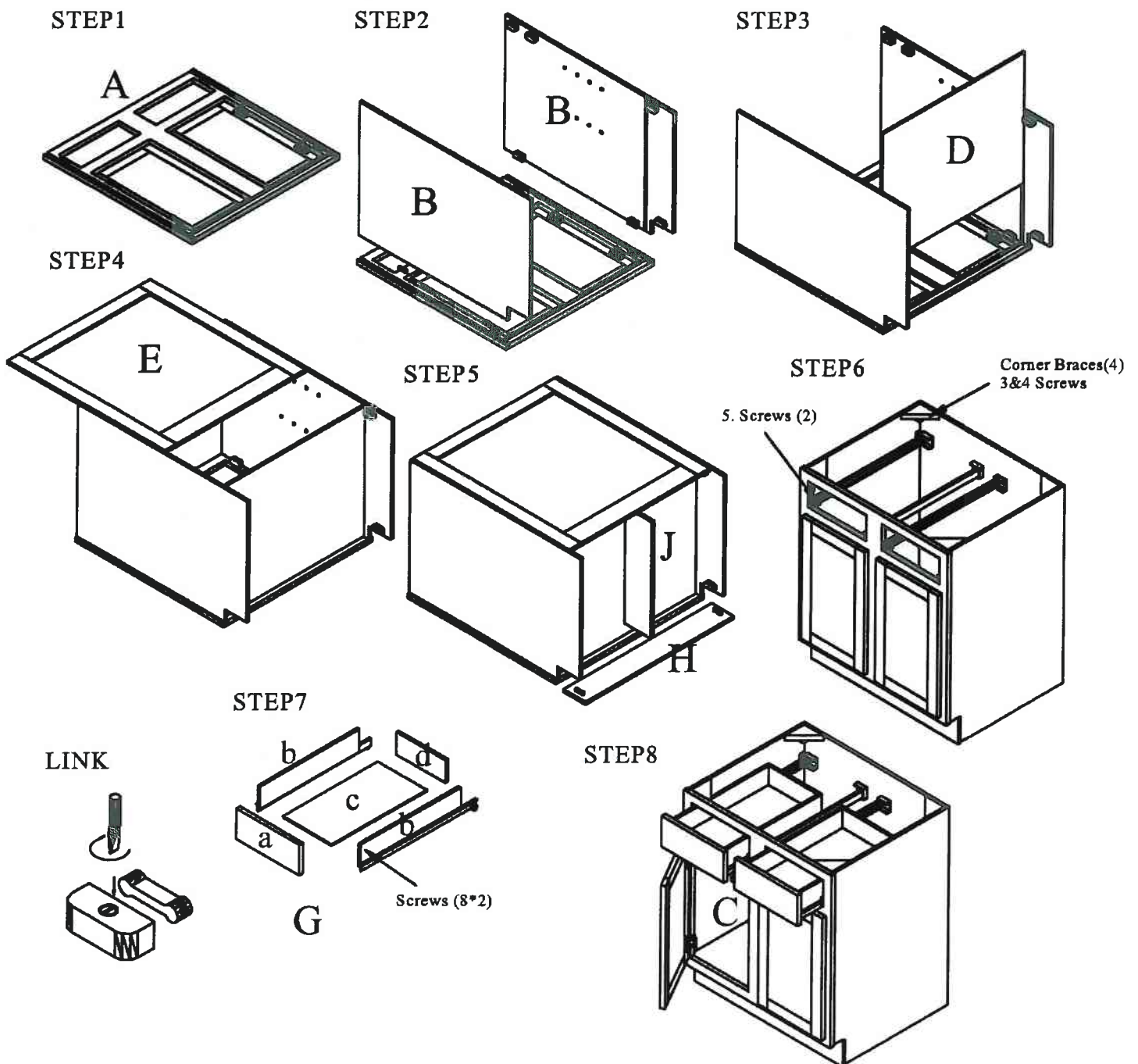
A-Doors & Face Frame B-End Panels (2) C-Shelf D-Bottom Panel
E-Back Panel H-Toe Kick J-Base Bottom Support G-Drawer Parts (2)

DRAWER PARTS LIST

a-Front(2) b-Sides (4) c-Bottom(2) d-Back(2) e-Drawer Slides (2 pr) f-Screws (\varnothing 3*30-16)

HARD WARE PARTS LIST

1. Shelf Clips (4) 2. Corner Braces (4) 3. Screws (\varnothing 3.5*25-4) 4. Screws (\varnothing 3*12-8)
5. Screws (\varnothing 3*10-4)



ASSEMBLY INSTRUCTIONS

BASE BLIND CABINET (BBC24,BBC27,BBC30,BBC33,BBC36)

SHELL PARTS LIST

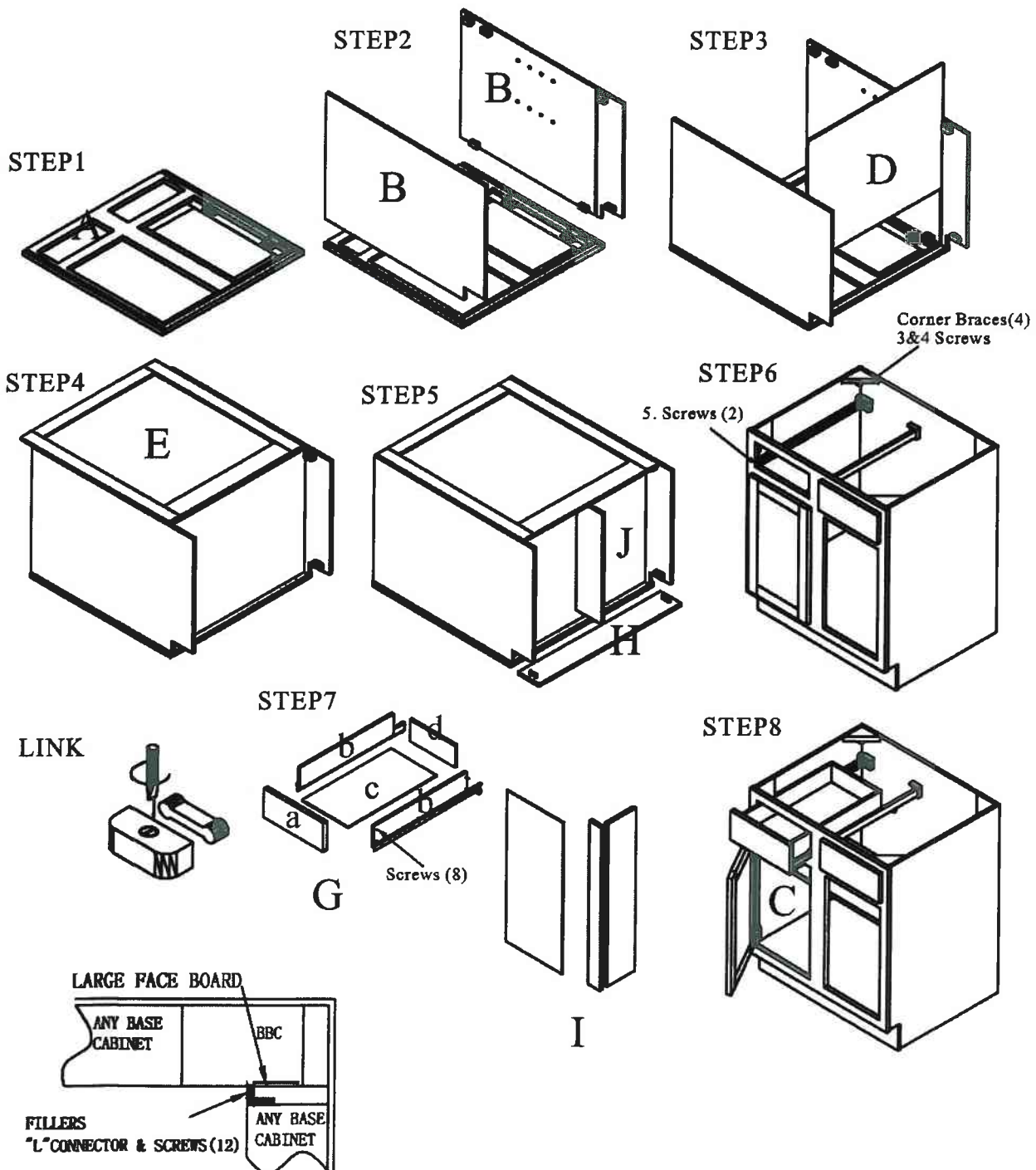
A-Doors & Face Frame B-End Panels (2) C-Shelf D-Bottom Panel E-Back Panel
H-Toe Kick I-Optional Fillers & Lager Face Board J-Base Bottom Support

DRAWER PARTS LIST

a-Front b-Sides (2) c-Bottom d-Back e-Drawer Slides (1 pr) f-Screws (\varnothing 3*30-8)

HARD WARE PARTS LIST

1. Shelf Clips (4) 2. Corner Braces (4) 3. Screws (\varnothing 3.5*25-4) 4. Screws (\varnothing 3*12-8)
5. Screws (\varnothing 3*10-2) 6."L" Connector (4) 7. Screws (\varnothing 3*12-8)



ASSEMBLY INSTRUCTIONS

DRAWER BASE CABINET (DB09,DB12,DB15,DB21)

CABINET PARTS LIST

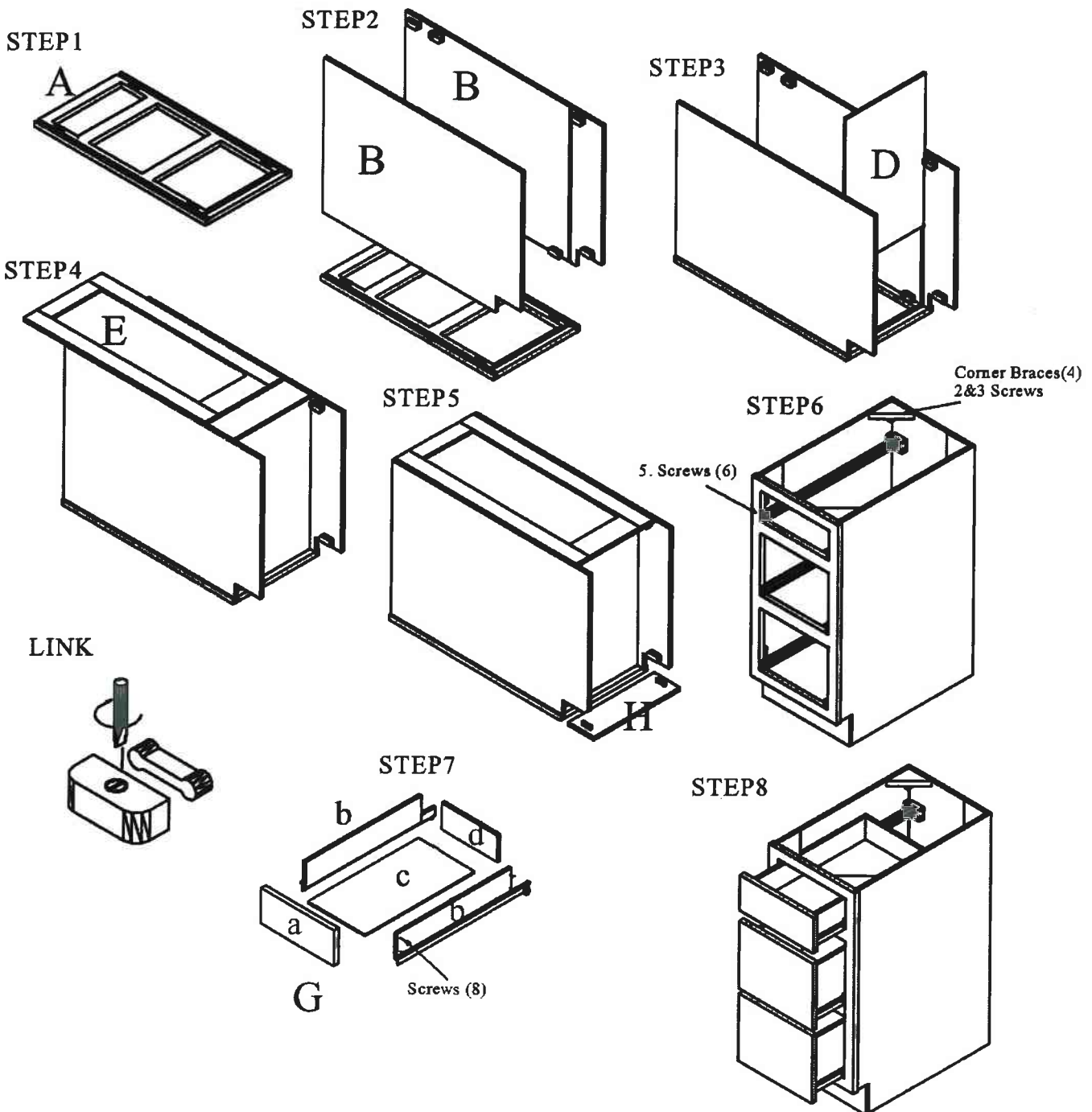
A-Face Frame B-End Panels (2) D-Bottom Panel E-Back Panel
H-Toe Kick G-Drawer Parts (3)

DRAWER PARTS LIST

a-Front(3) b-Sides (6) c-Bottom(3) d-Back(3) e-Drawer Slides (3 pr) f-Screws (\varnothing 3*30-24)

HARD WARE PARTS LIST

1. Corner Braces (4) 2. Screws (\varnothing 3.5*25-4) 3. Screws (\varnothing 3*12-8)
4. Screws (\varnothing 3*10-6)



ASSEMBLY INSTRUCTIONS

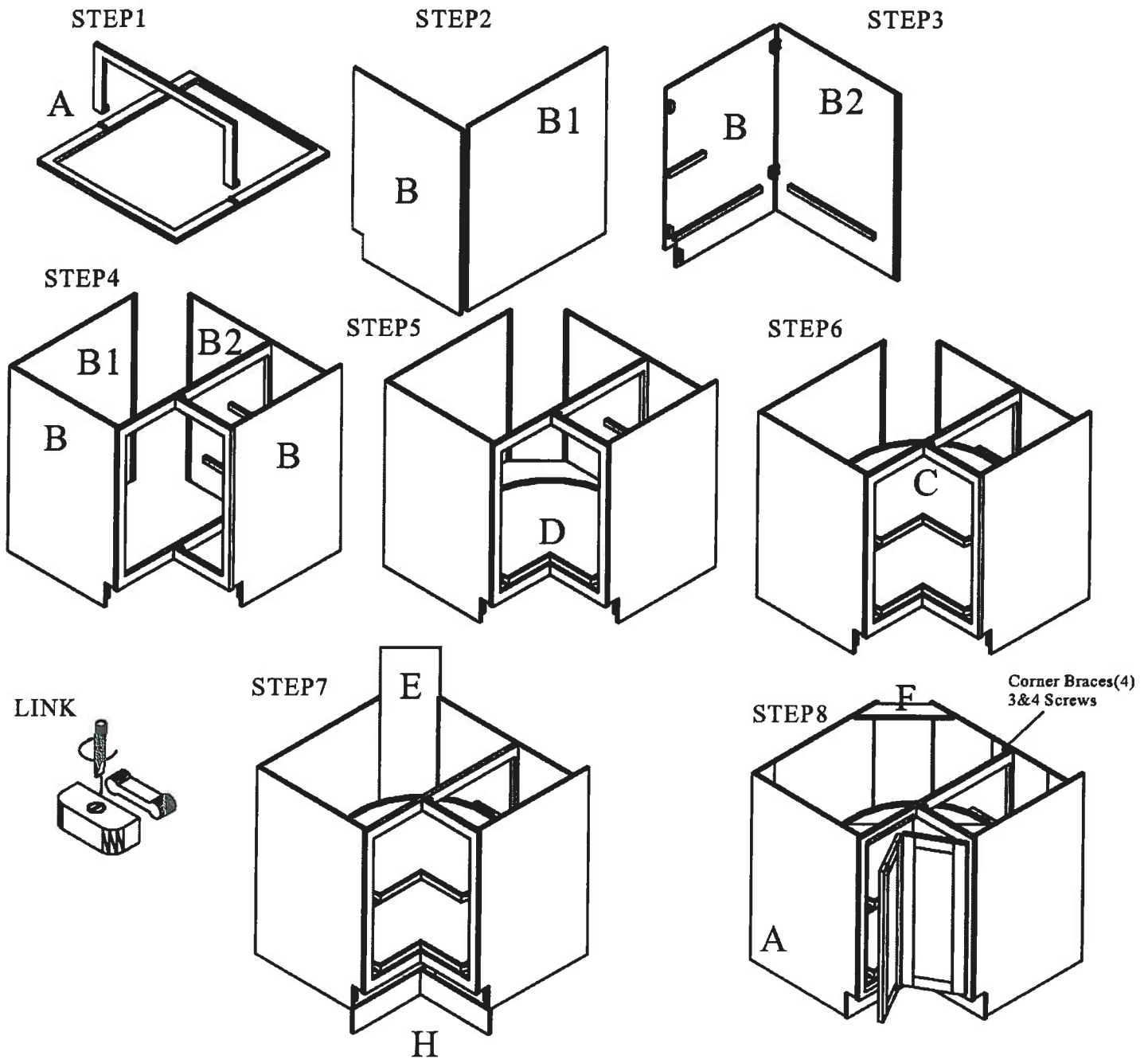
DIGANAL CORNER BASE CABINET (DCB3612)

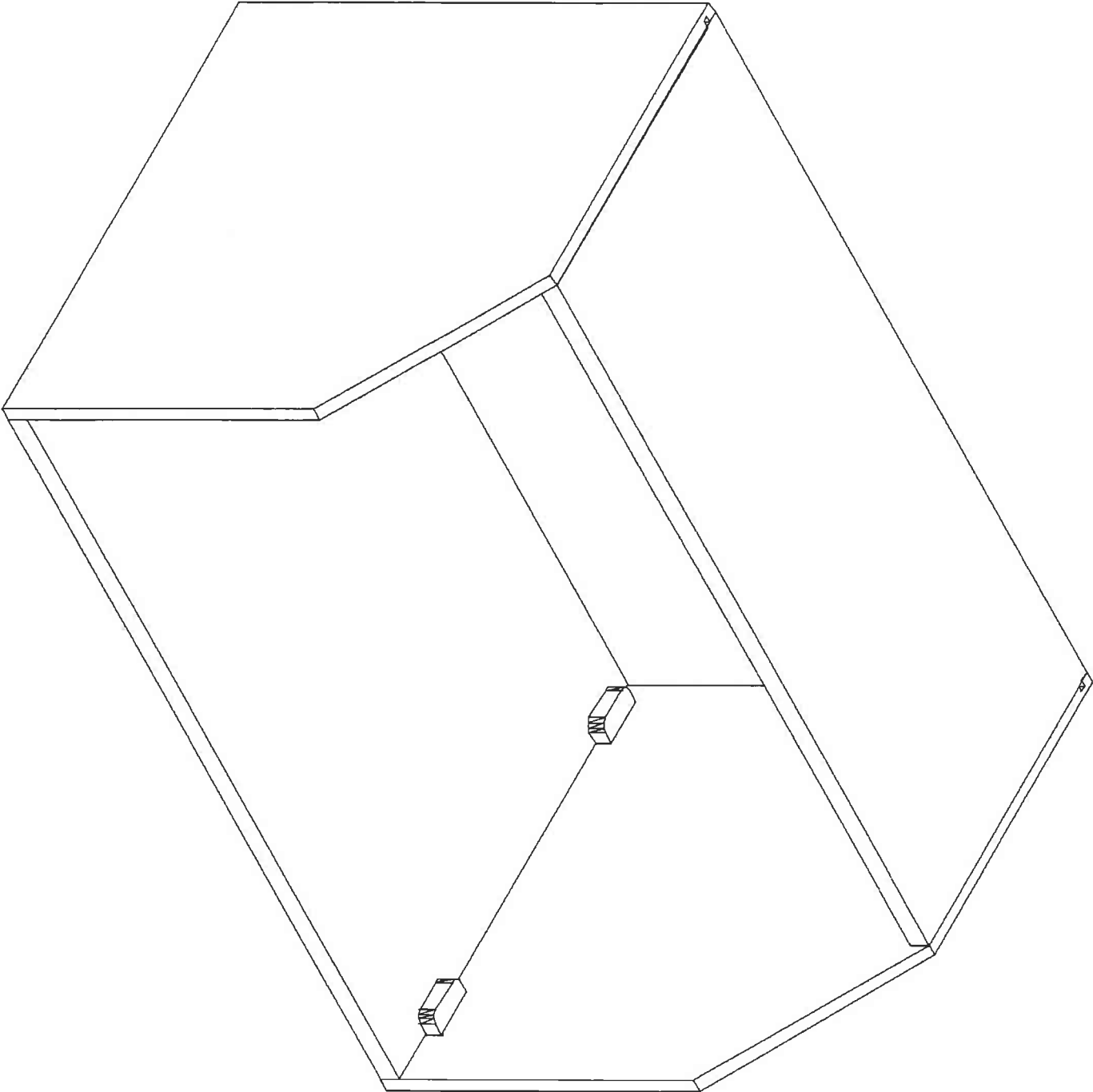
CABINET PARTS LIST

A-Largest Face Frame/ Smallest Face Frame & Doors B-End Panels (2)
B1-Short End Panel B2-Long End Panel C-Shelf W/Turntable D-Bottom W/Turntable
E-Back Panel F-Top Back Brace H-Toe Kick (2)

HARD WARE PARTS LIST

1. Corner Braces (4) 2. Shelf/W & Bottom/W Screws ($\varnothing 3 \times 20-14$) 3. Screws ($\varnothing 3.5 \times 25-4$)
4. Screws ($\varnothing 3 \times 12-8$) 5. Toe Kick Screws ($\varnothing 3 \times 12-2$) 6. Largest Face Frame Screws ($\varnothing 3 \times 12-2$)
7. Back Panel Screws ($\varnothing 3 \times 10-2$)





ASSEMBLY INSTRUCTIONS

OVEN CABINET (OC332484,OC332496)

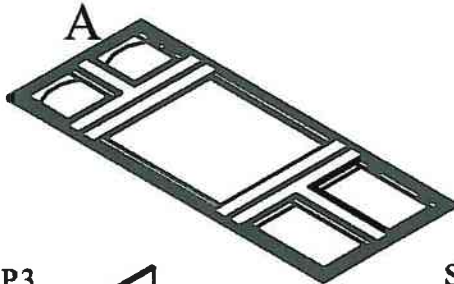
CABINET PARTS LIST

A-Doors & Face Frame B-End Panels (2) D-Top/Medium/Bottom Panes(3)
E-Back Panel H-Toe Kick

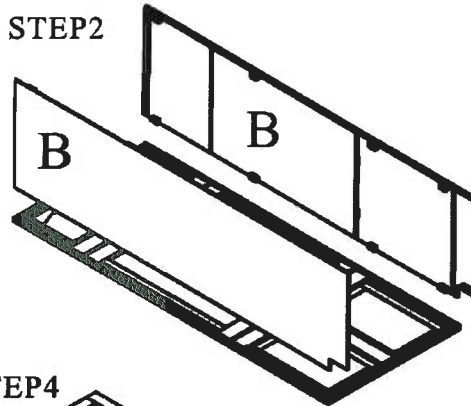
HARD WARE PARTS LIST

None

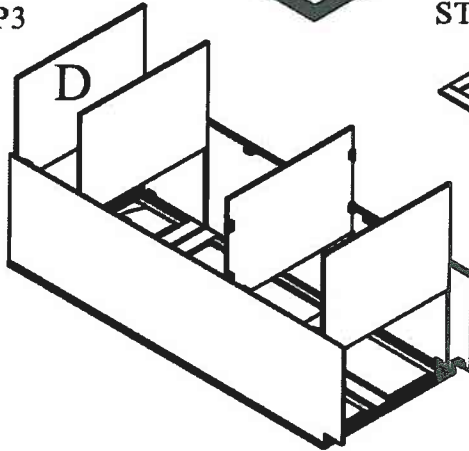
STEP1



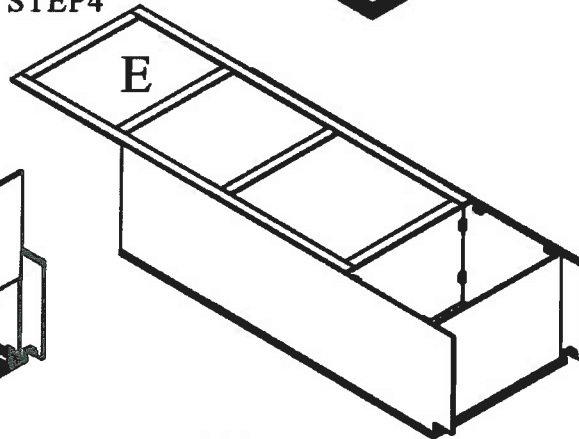
STEP2



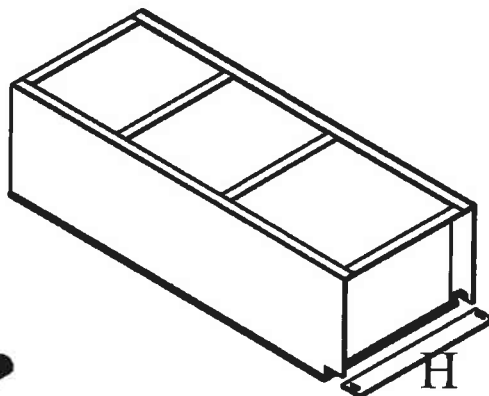
STEP3



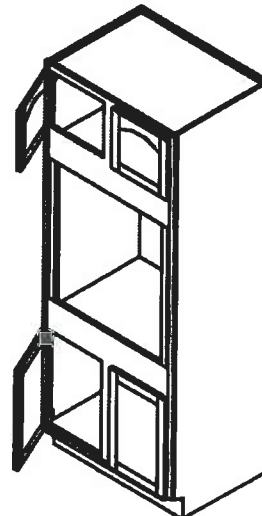
STEP4



STEP5



STEP6



LINK



A-Doors & Face Frame B-End Panels(2) D-Top/Medium/Bottom Panels(4)
E-Back Panel H-Toe Kick G-Drawer Parts(3)

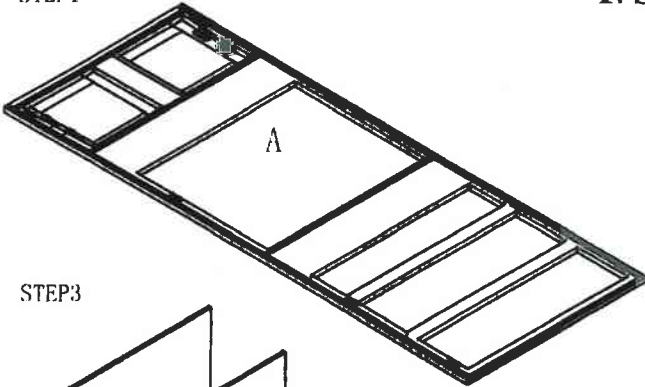
DRAWER PARTS LIST

a-Front(3) b-Sides(6) c-Bottom(3) d-Back(3) e-Drawer Slides(3 pr) f-Screws($\text{Ø}3*30\text{-}24$)

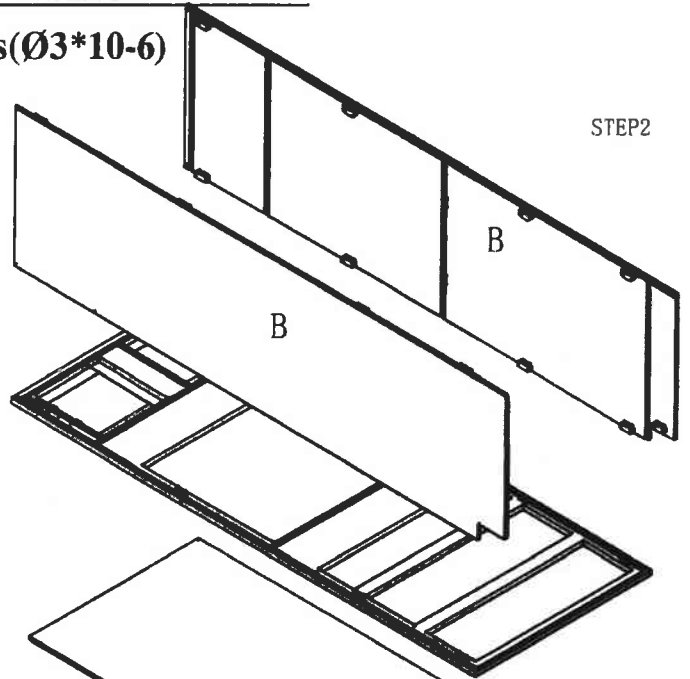
HARDWARE PARTS LIST

1. Screws($\text{Ø}3*10\text{-}6$)

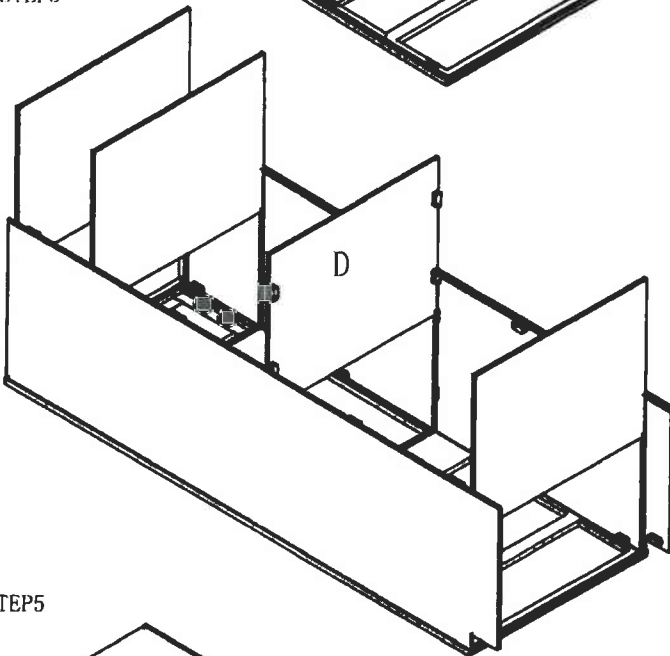
STEP1



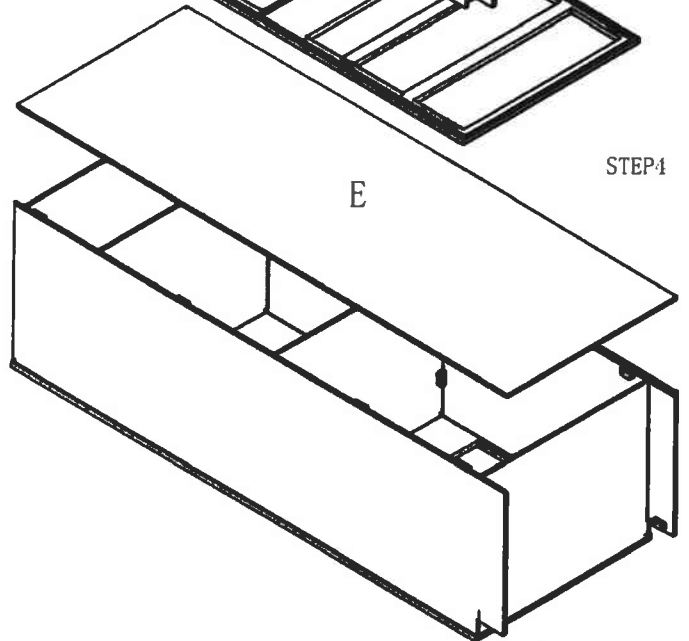
STEP2



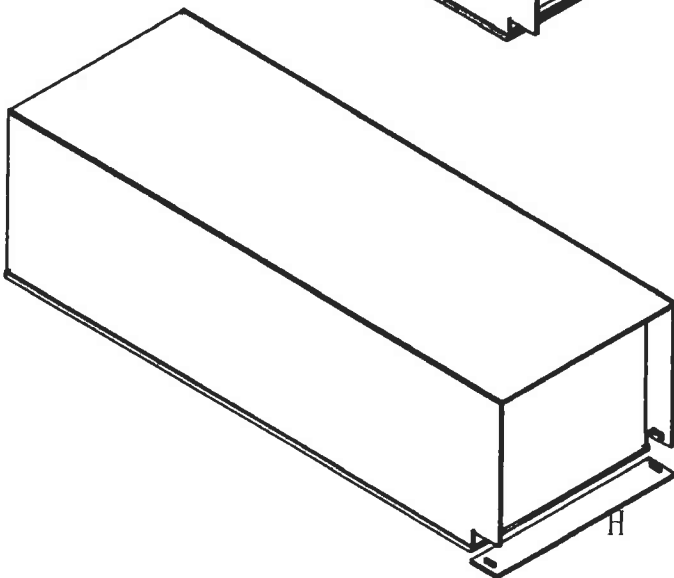
STEP3



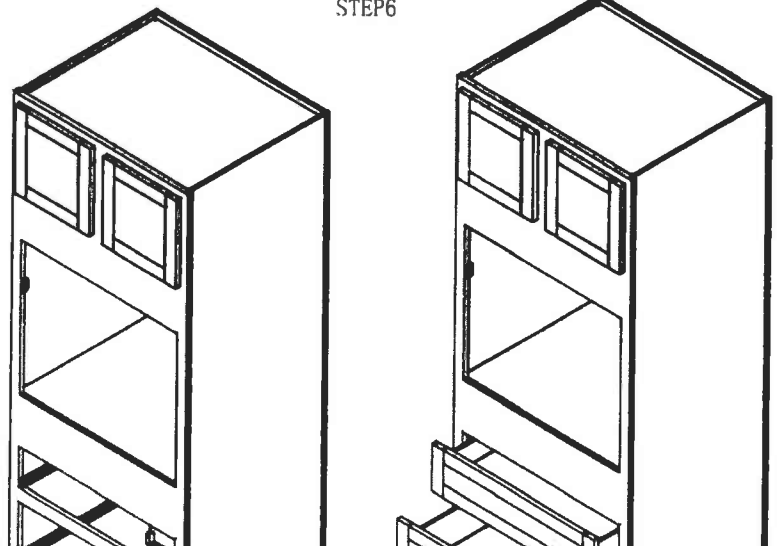
STEP4



STEP5



STEP6



Screws(8) $\text{Ø}3*30$

Screws($\text{Ø}3*10\text{-}6$)

G

ASSEMBLY INSTRUCTIONS

SINK BASE CABINET (SB24, SB27, SB30)

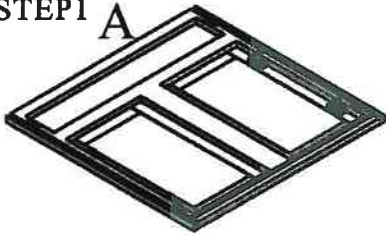
CABINET PARTS LIST

A-Doors & Face Frame B-End Panels (2) D-Bottom Panel E-Top Back Brace
F-Bottom Back Brace H-Toe Kick

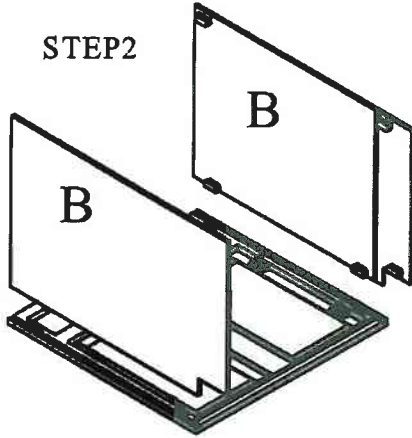
HARD WARE PARTS LIST

1. Corner Braces (4) 2. Screws ($\varnothing 3.5 * 25-4$) 3. Screws ($\varnothing 3 * 12-8$)

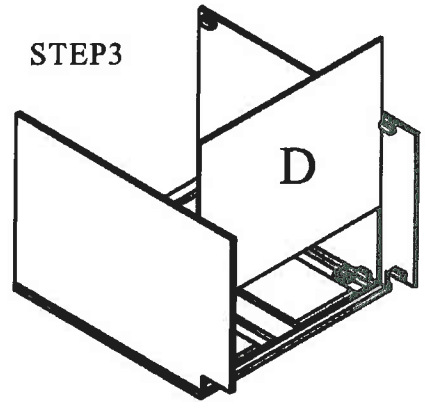
STEP1 A



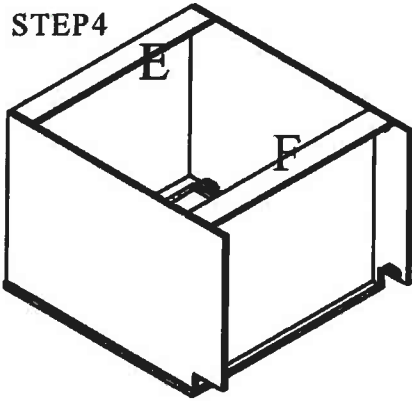
STEP2



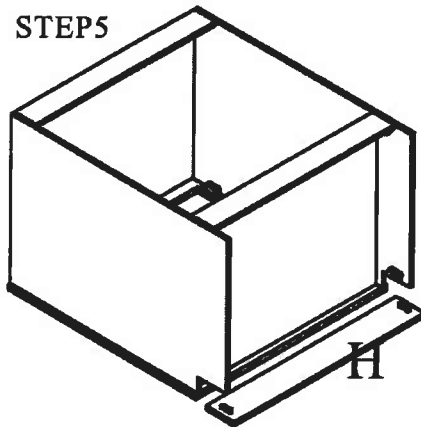
STEP3



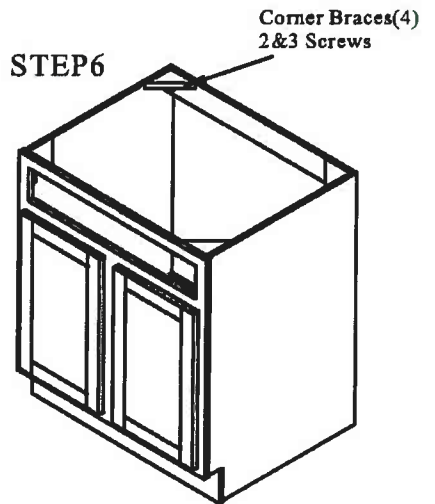
STEP4



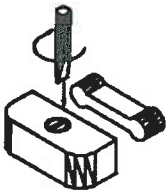
STEP5



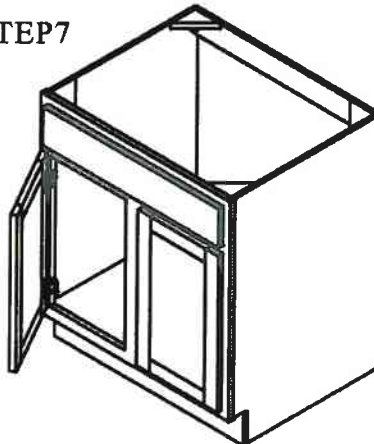
STEP6



LINK



STEP7



ASSEMBLY INSTRUCTIONS

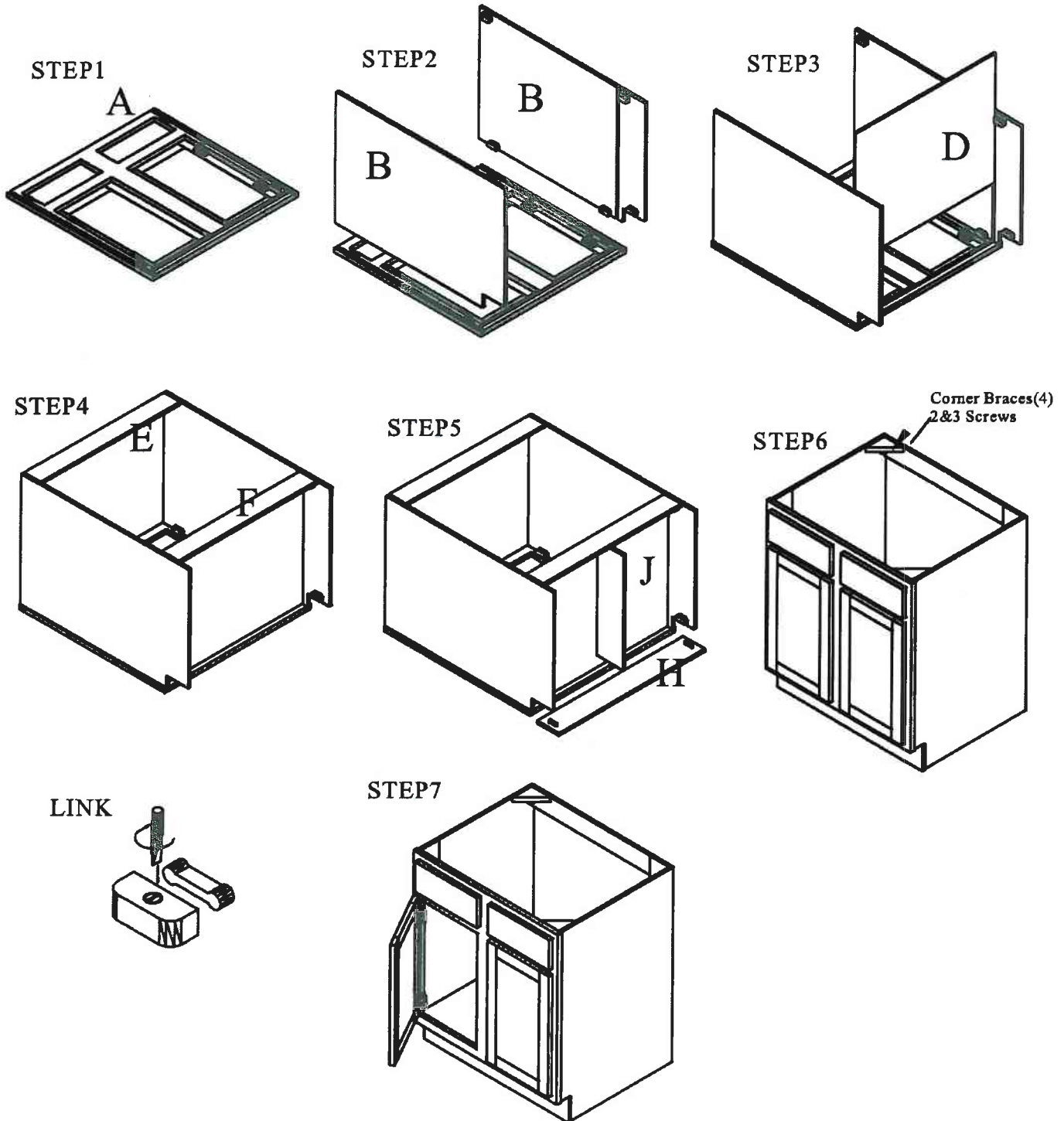
SINK BASE CABINET (SB33, SB36, SB39, SB42, SB48)

CABINET PARTS LIST

A-Doors & Face Frame B-End Panels (2) D-Bottom Panel E-Top Back Panel
F-Bottom Back Panel H-Toe Kick J-Base Bottom Support

HARD WARE PARTS LIST

1. Corner Braces (4) 2. Screws ($\varnothing 3.5 * 25-4$) 3. Screws ($\varnothing 3 * 12-8$)



ASSEMBLY INSTRUCTIONS

SINK BASE CABINET (SB60)

CABINET PARTS LIST

A-Doors & Face Frame B-End Panels (2) D-Bottom Panel E-Top Back Panel
F-Bottom Back Panel H-Toe Kick J-Bottom Support

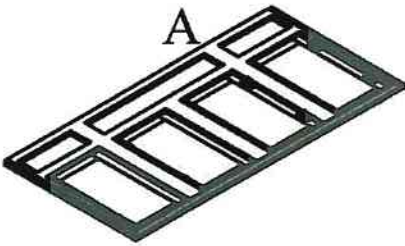
DRAWER PARTS LIST

a-Front (2) b-Sides (4) c-Bottom (2) d-Back (2) e-Drawer Slides (2 pr) f-Screws (? 3*30-16)

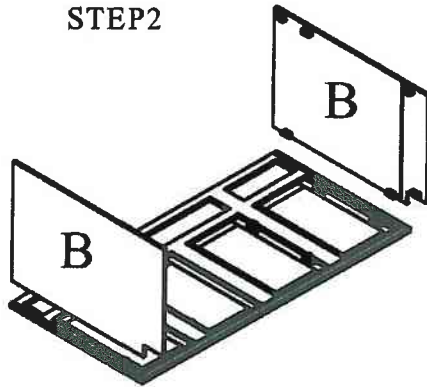
HARD WARE PARTS LIST

1. Corner Braces (4) 2. Screws (\emptyset 3.5 * 25-4) 3. Screws (\emptyset 3*12-8) 4. Screws (?3*10-4)

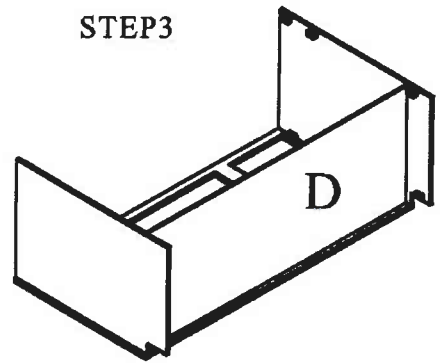
STEP1



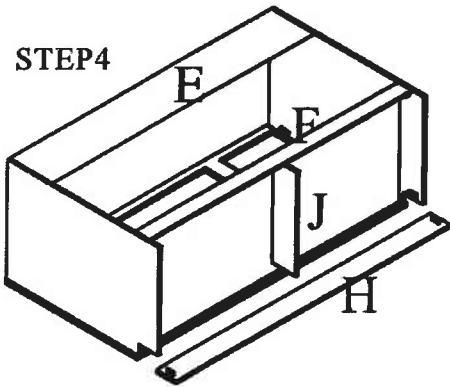
STEP2



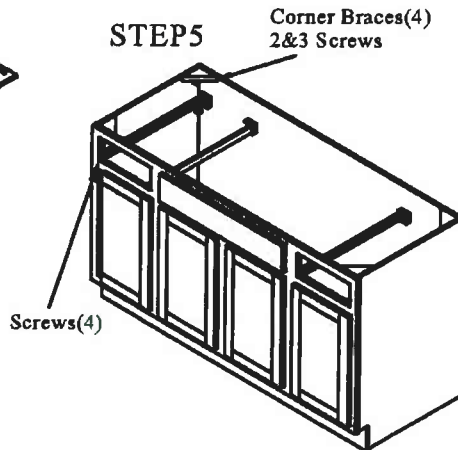
STEP3



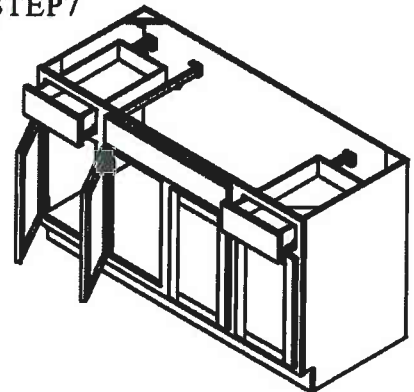
STEP4



STEP5



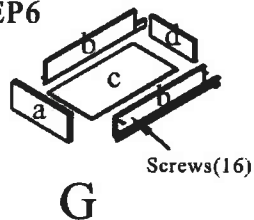
STEP7

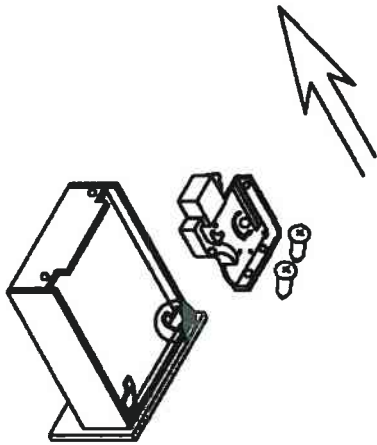
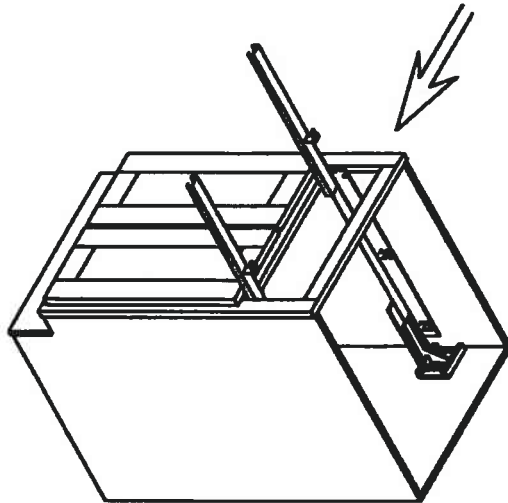
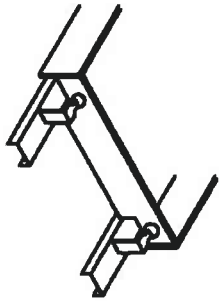
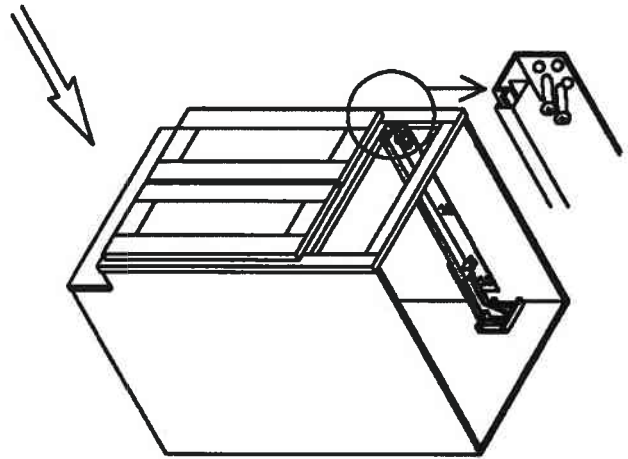
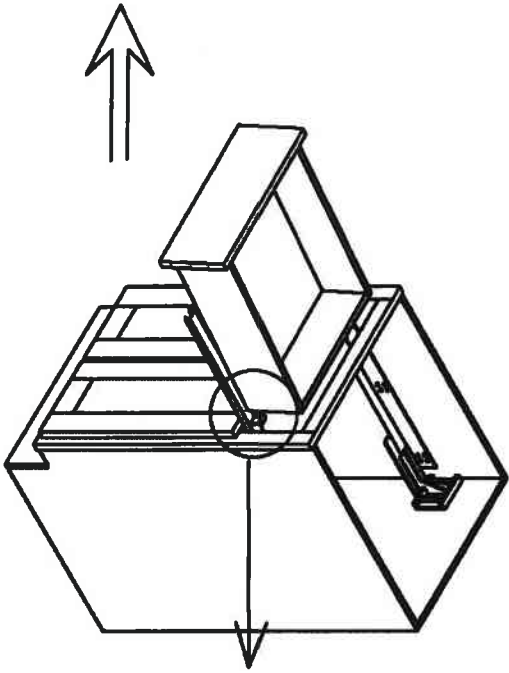
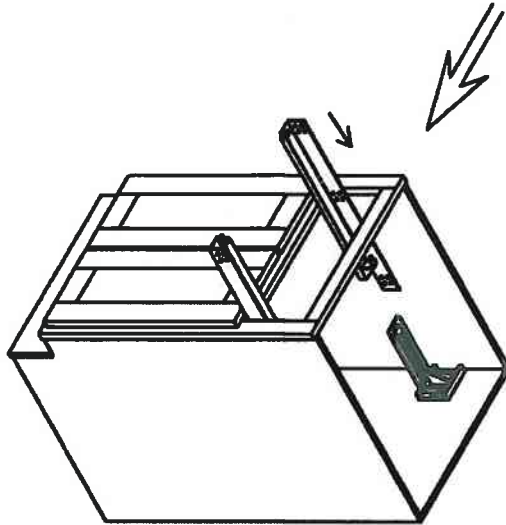
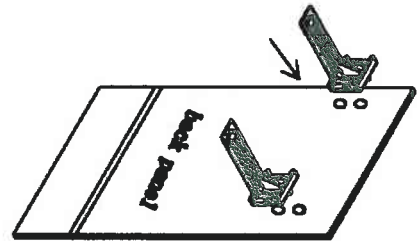
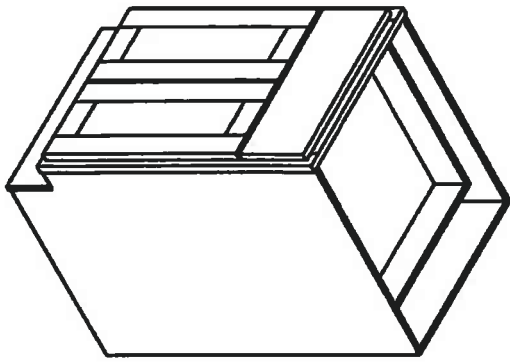


LINK

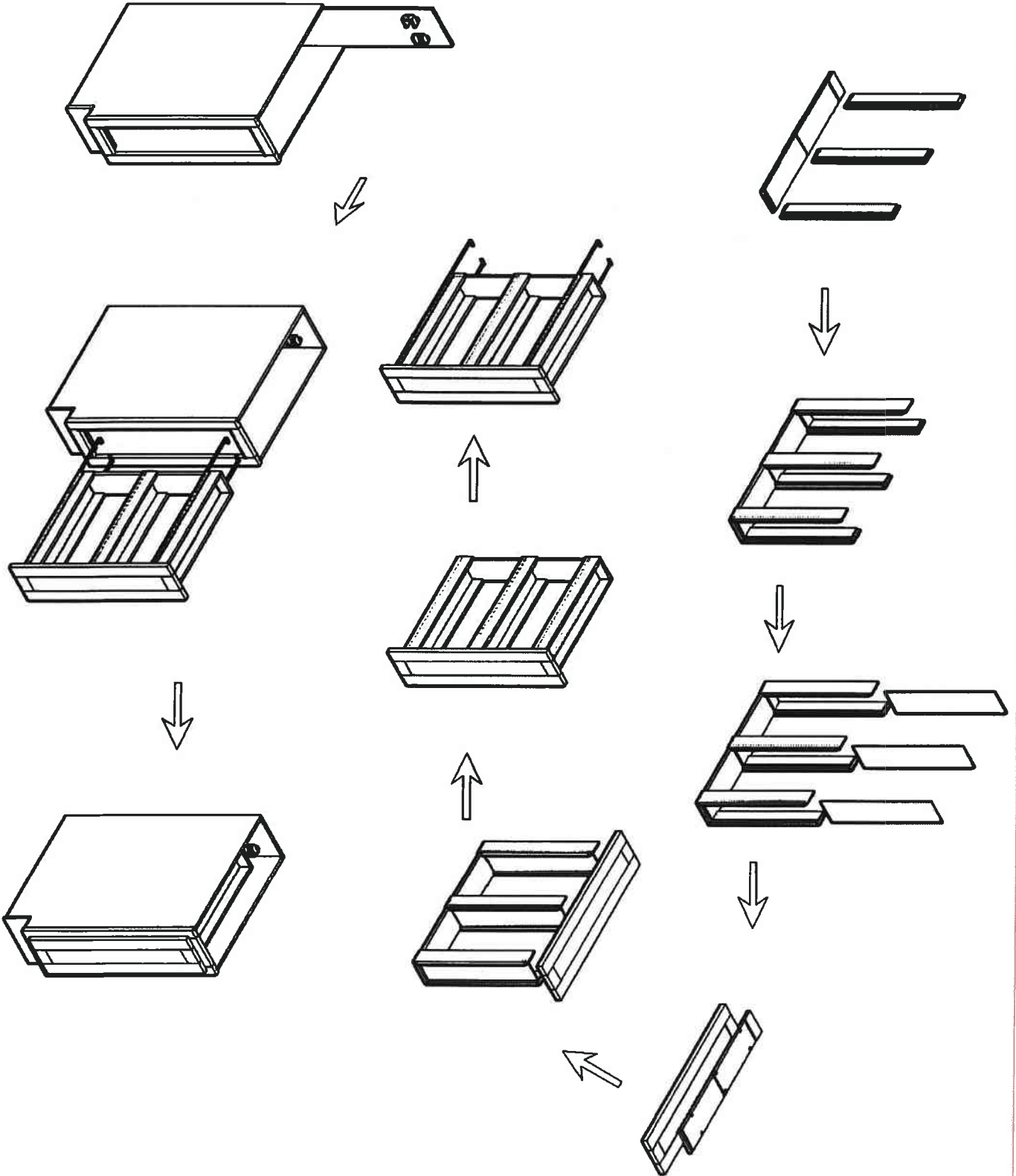


STEP6





SRI



ASSEMBLY INSTRUCTIONS

WALL CABINET (W0930, W1230, W1530, W1830, W2130)

CABINET PARTS LIST

A-Doors & Face Frame B-End Panels (2) C-Shelves(2) D-Bottom Panel & D-Top Panel
E-Back Panel

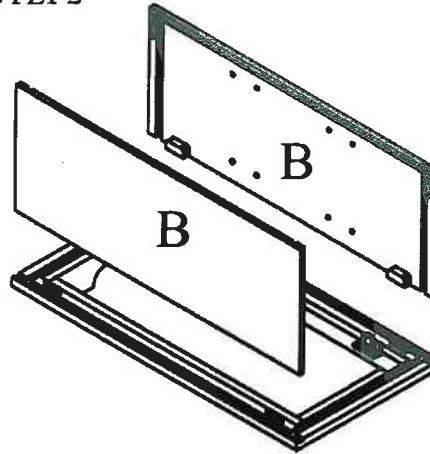
HARD WARE PARTS LIST

1. Shelf Clips (8) 2. Screws (Ø3.5*25-4)

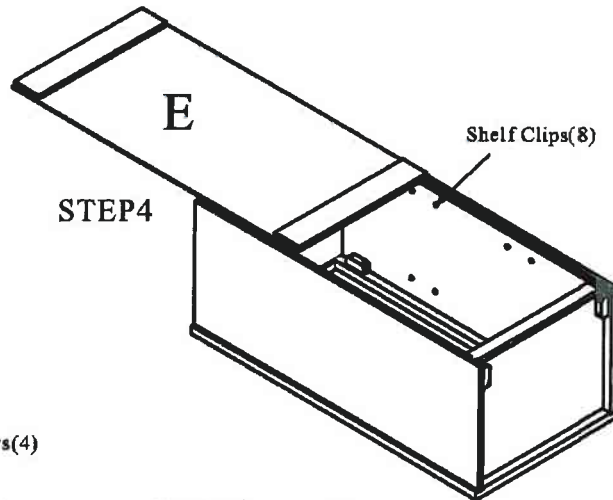
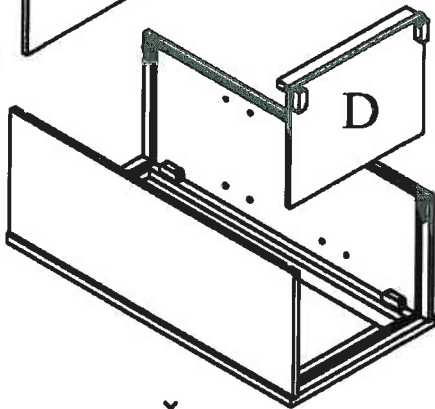
STEP1



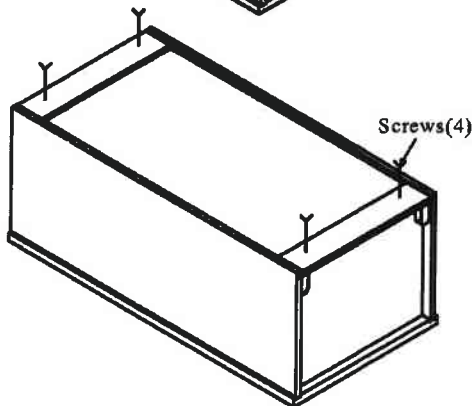
STEP2



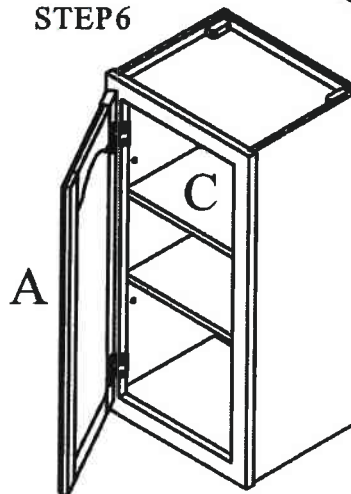
STEP3



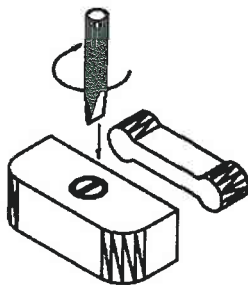
STEP5



STEP6



LINK



ASSEMBLY INSTRUCTIONS

WALL CABINET (W0942,W1242,W1542,W1842,W2142)

CABINET PARTS LIST

A-Doors & Face Frame B-End Panels (2) C-Shelves(3) D-Bottom Panel & D-Top Panel
E-Back Panel

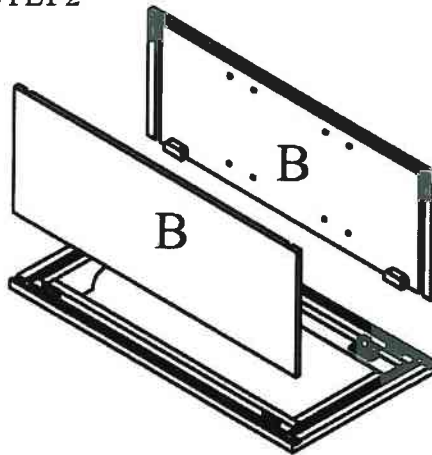
HARD WARE PARTS LIST

1. Shelf Clips (12) 2. Screws (Ø3.5*25-4)

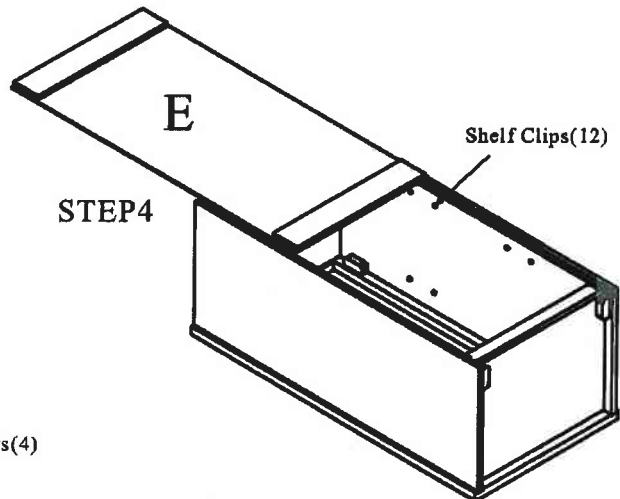
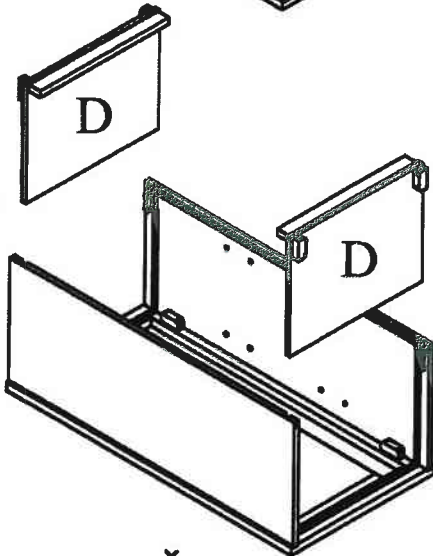
STEP1



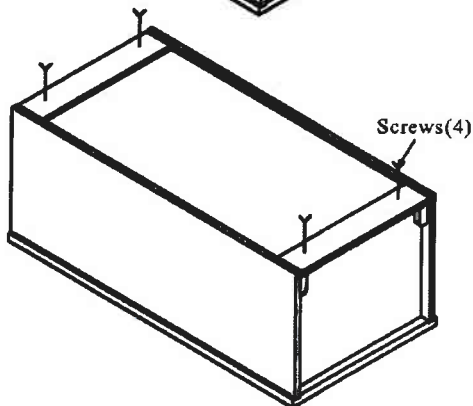
STEP2



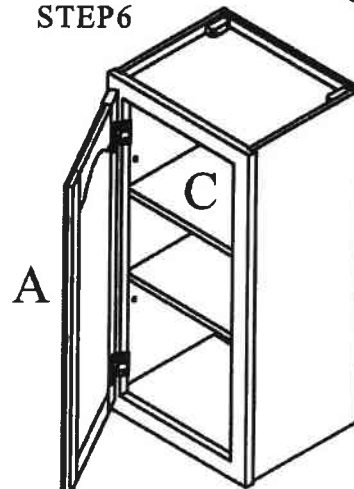
STEP3



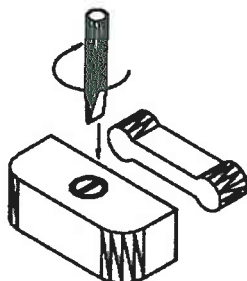
STEP5



STEP6



LINK



ASSEMBLY INSTRUCTIONS

WALL CABINET (W2412, W2712, W3012, W3312, W3612)
(W2415, W2715, W3015, W3315, W3615)
(W2418, W2718, W3018, W3318, W3618)
(W331524, W361524)

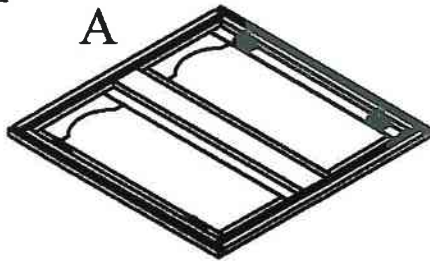
CABINET PARTS LIST

A-Doors & Face Frame B-End Panels (2) D-Bottom Panel & Top Panel E-Back Panel

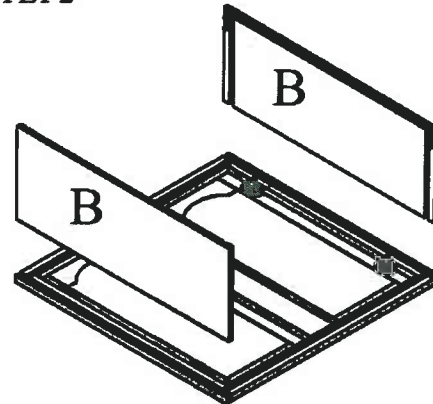
HARD WARE PARTS LIST

1. Screws ($\varnothing 3.5 \times 25$) 6 or 8

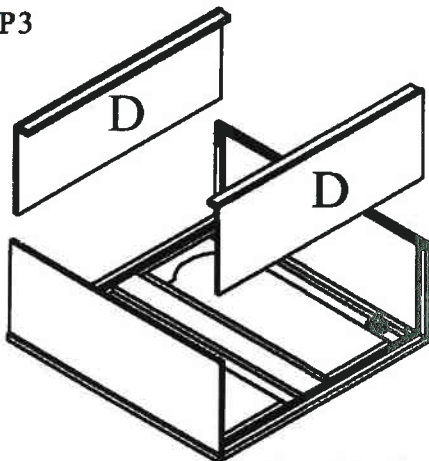
STEP1



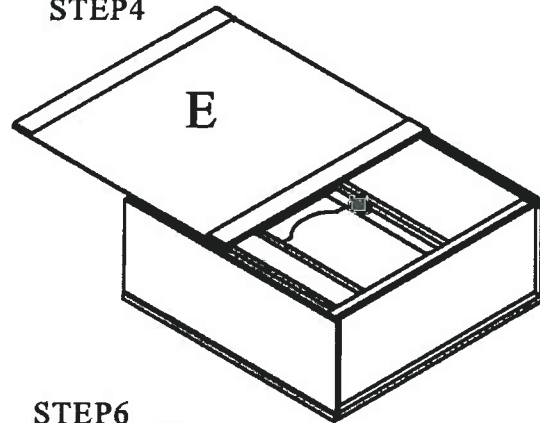
STEP2



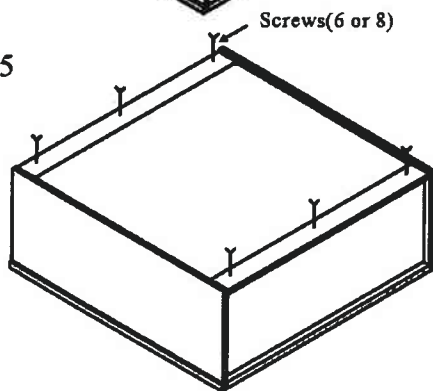
STEP3



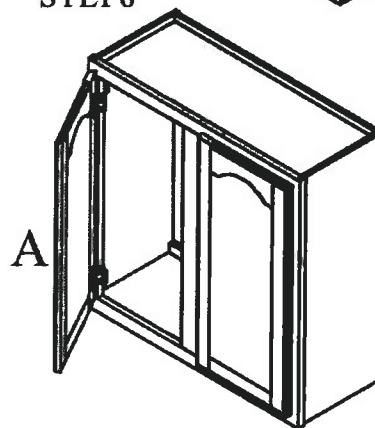
STEP4



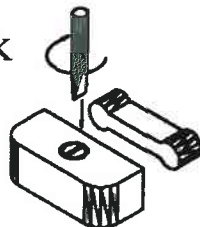
STEP5



STEP6



LINK



ASSEMBLY INSTRUCTIONS

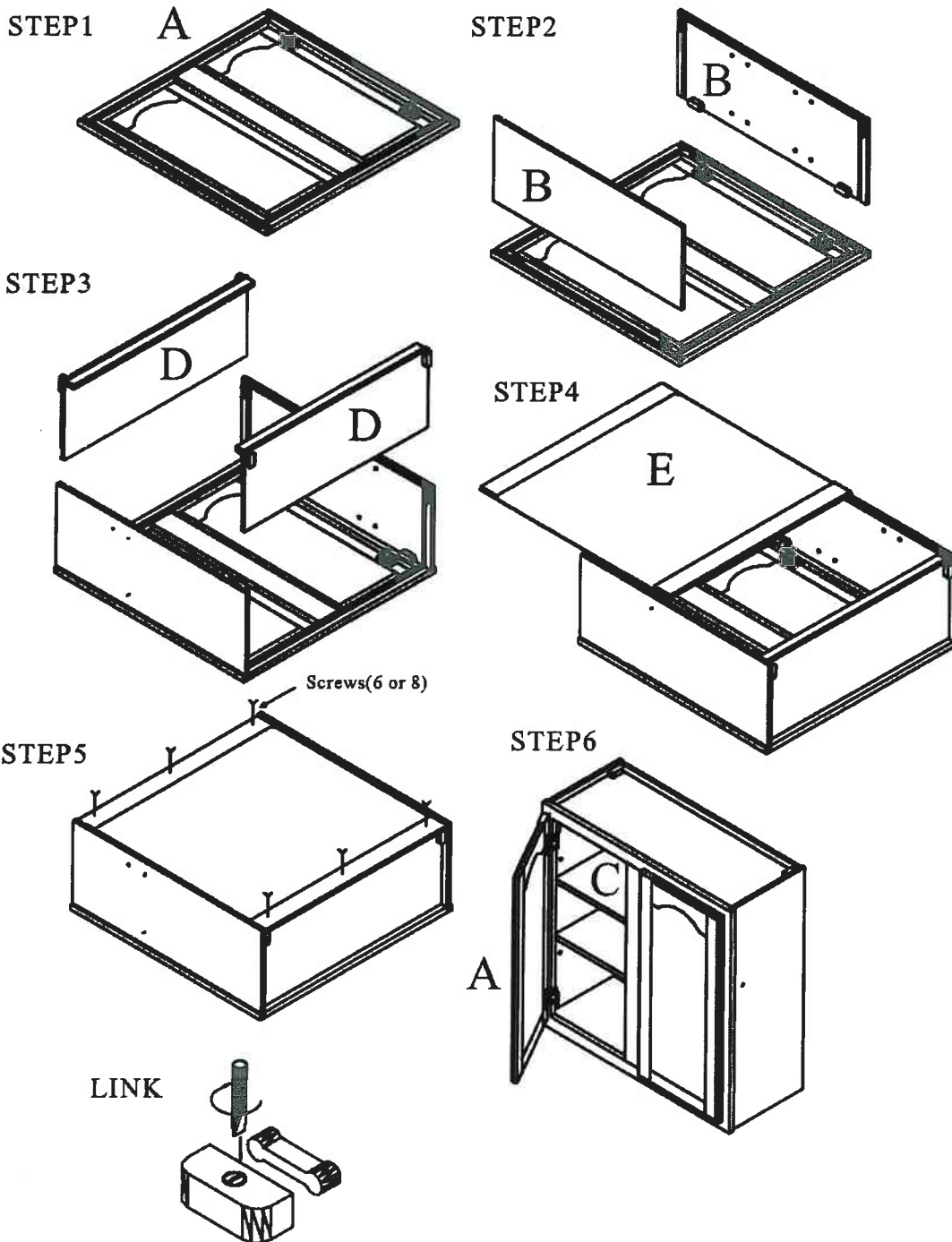
WALL CABINET (W2430, W2730, W3030, W3330)
(W3630, W3930, W4230, W4830)
(W2724, W3024, W3324, W3624)
(W332434, W362424)

CABINET PARTS LIST

A-Doors & Face Frame B-End Panels (2) C-Shelves(2) D-Bottom Panel & D-Top Panel
E-Back Panel

HARD WARE PARTS LIST

1. Shelf Clips (8) 2. Screws ($\varnothing 3.5 \times 25$) 6 or 8



ASSEMBLY INSTRUCTIONS

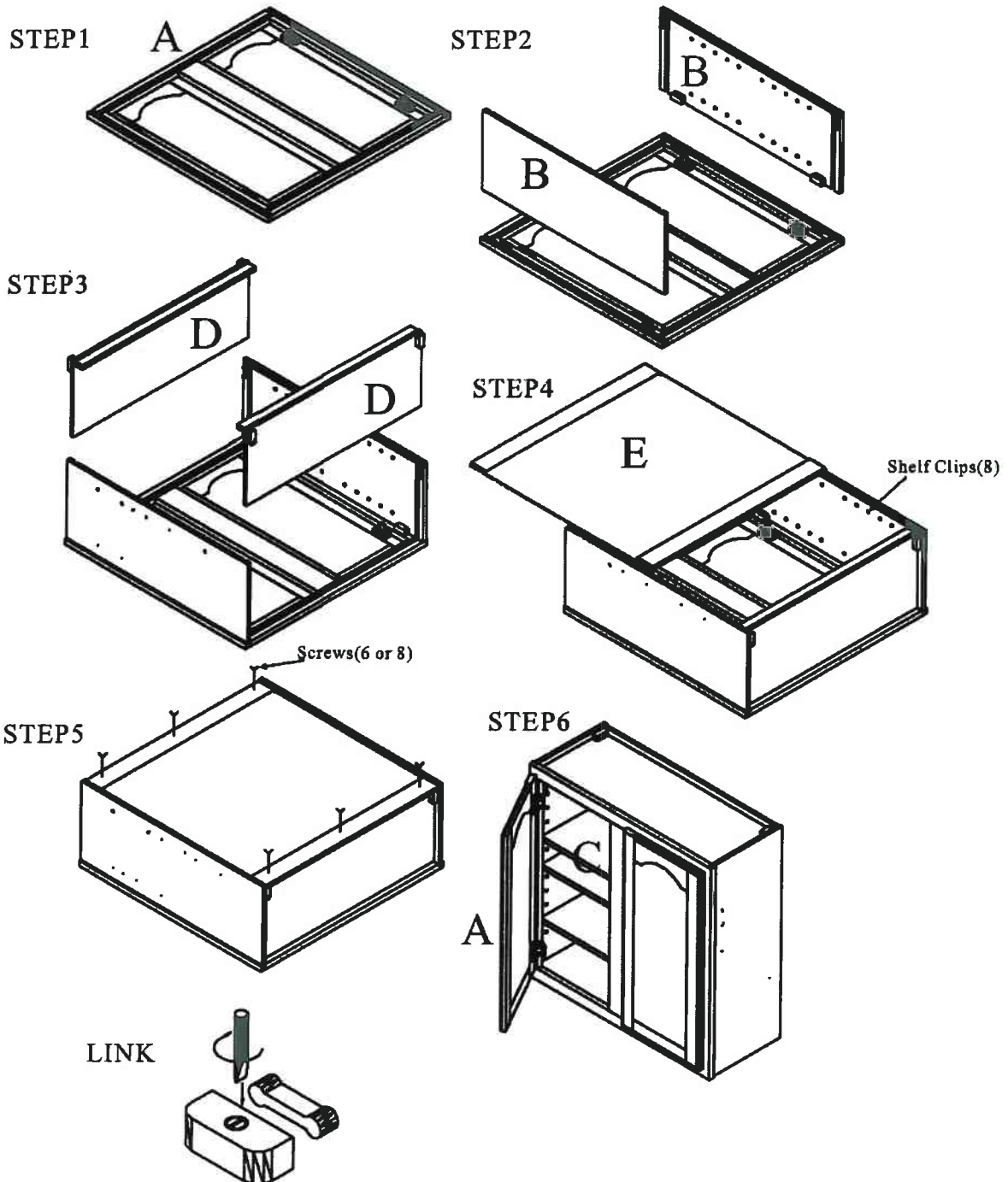
WALL CABINET (W2442, W2742, W3042, W3342) (W3642, W3942, W4242, W4842)

CABINET PARTS LIST

A-Doors & Face Frame B-End Panels (2) C-Shelves(3) D-Bottom Panel & D-Top Panel
E-Back Panel

HARD WARE PARTS LIST

1. Shelf Clips (12) 2. Screws (6) or (8)



ASSEMBLY INSTRUCTIONS

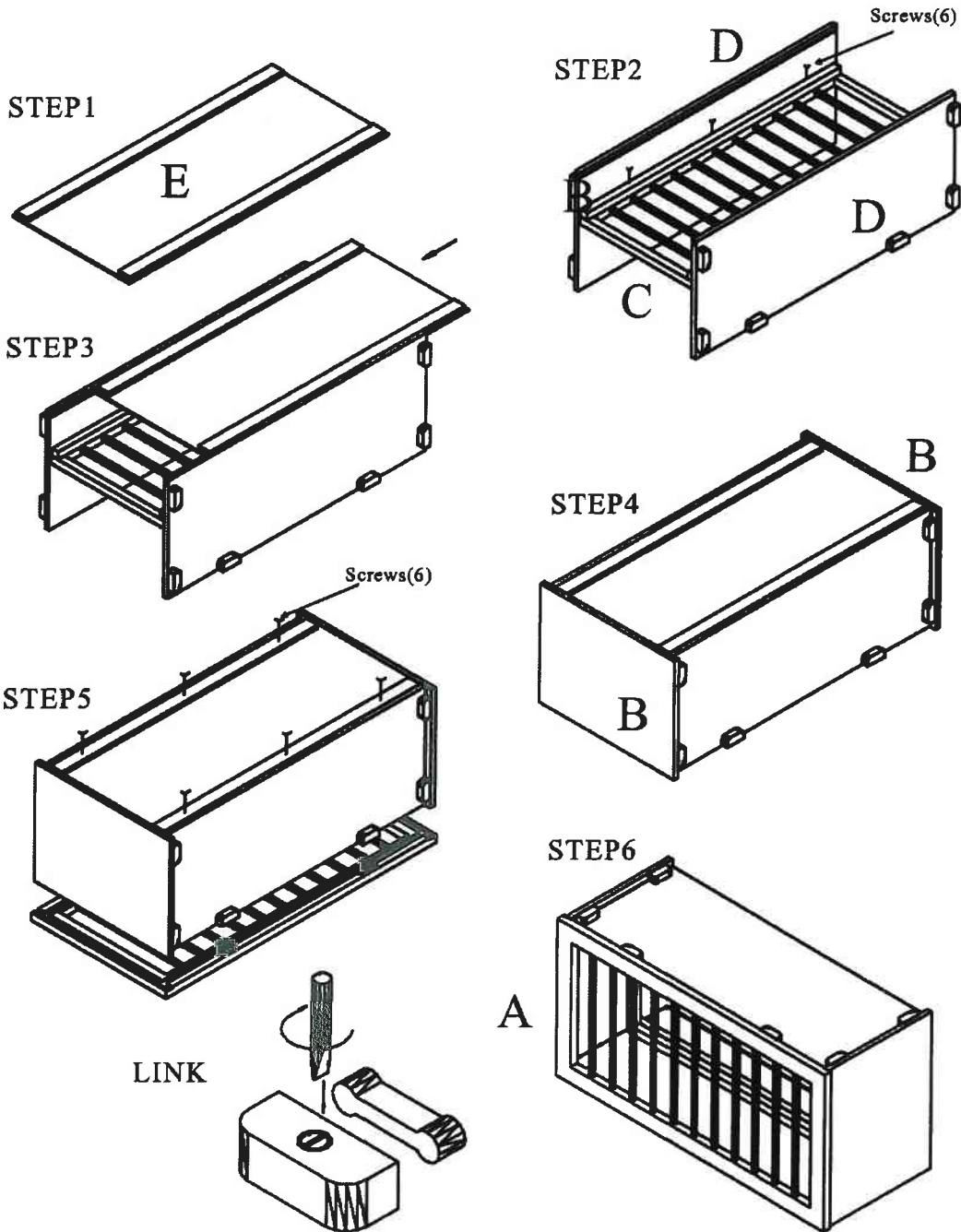
WALL CABINET (W3015 Plate Rack, W3018 Plate Rack)

CABINET PARTS LIST

A-Face Frame B-End Panels (2) C-Center Face Frame D-Bottom Panel & Top Panel
E-Back Panel

HARD WARE PARTS LIST

1.Screws ($\varnothing 3.5 \times 25-12$)



ASSEMBLY INSTRUCTIONS

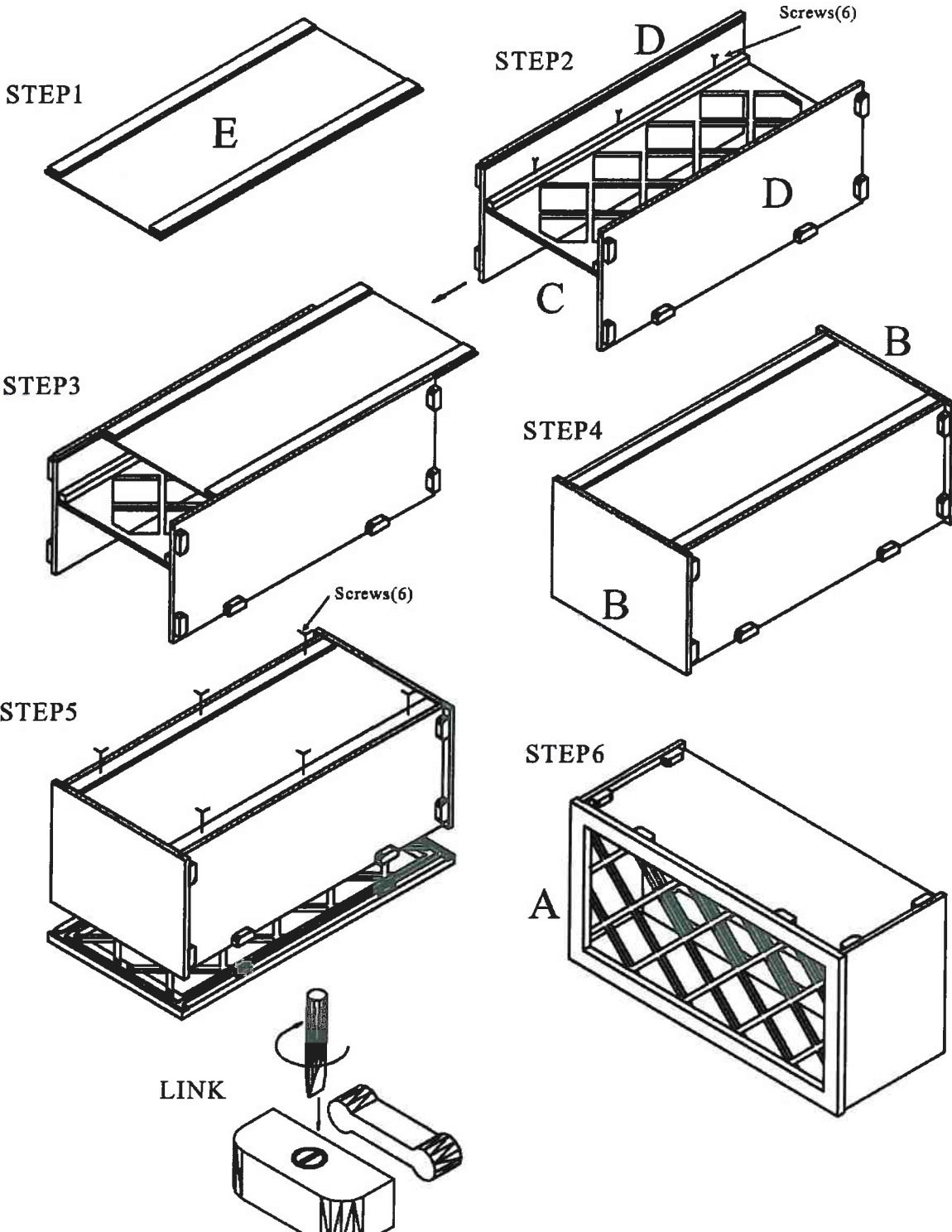
WALL CABINET (W3015 Wine Rack, W3018 Wine Rack)

CABINET PARTS LIST

A-Face Frame B-End Panels (2) C-Center Face Frame D-Bottom Panel & Top Panel
E-Back Panel

HARD WARE PARTS LIST

1.Screws ($\varnothing 3.5 \times 25-12$)



ASSEMBLY INSTRUCTIONS

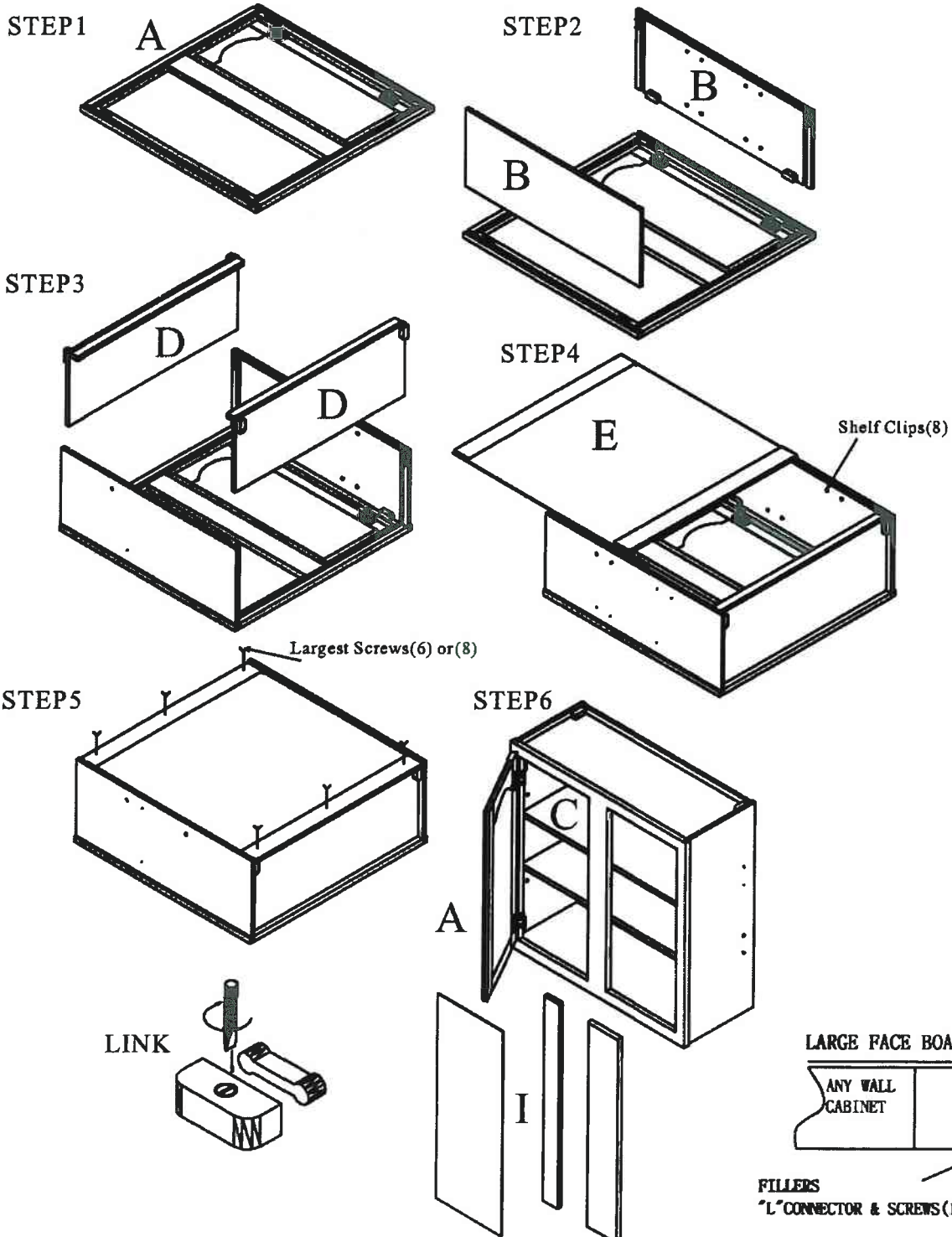
WALL BLIND CABINET (WBC2430, WBC2730) (WBC3030, WBC3330, WBC3630)

CABINET PARTS LIST

A-Door & Face Frame B-End Panels (2) C-Shelves (2) D-Bottom Panel & Top Panel
E-Back Panel I-Optional Fillers & Large Face Board

HARD WARE PARTS LIST

1. Shelf Clips(8) 2.Screws ($\varnothing 3.5 \times 25$)6 or 8 3."L" Connector (4) 4. Screws ($\varnothing 3 \times 10-12$)



ASSEMBLY INSTRUCTIONS

WALL BLIND CABINET (WBC2442,WBC2742) (WBC3042,WBC3342,WBC3642)

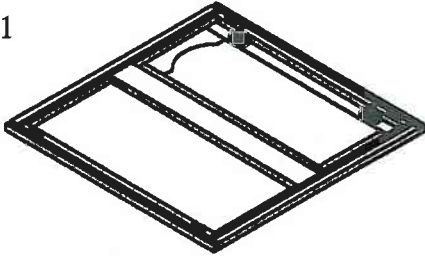
CABINET PARTS LIST

**A-Door & Face Frame B-End Panels (2) C-Shelves (3) D-Bottom Panel & Top Panel
E-Back Panel I-Optional Fillers & Large Face Board**

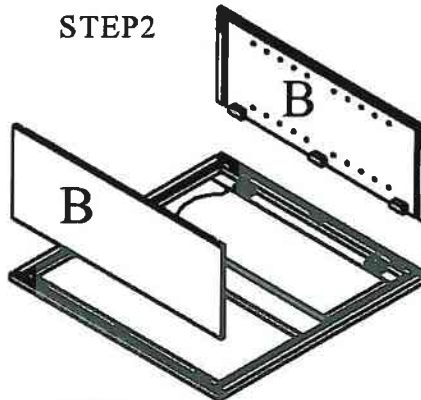
HARD WARE PARTS LIST

1. Shelf Clips(12) 2. Screws (Ø3.5*25)6 or 8 3."L" Connector (4) 4. Screws (Ø3*10-12)

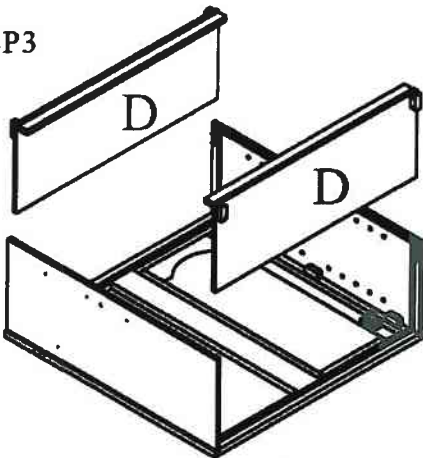
STEP1



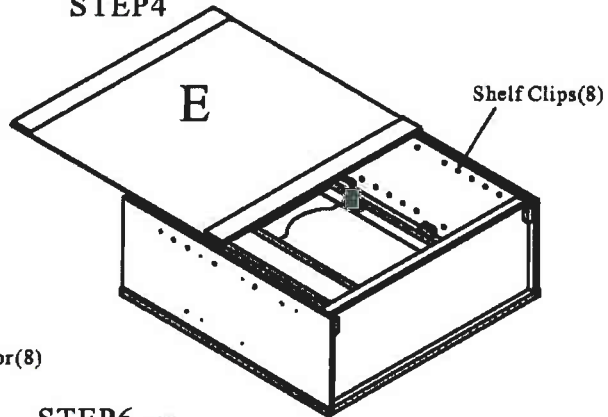
STEP2



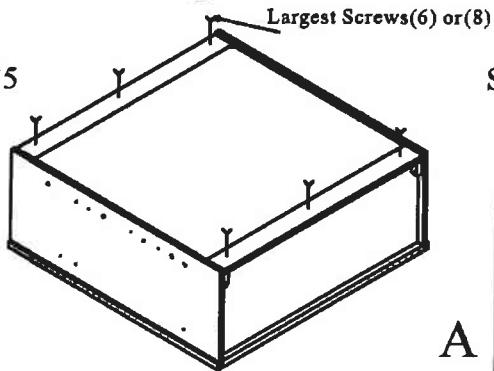
STEP3



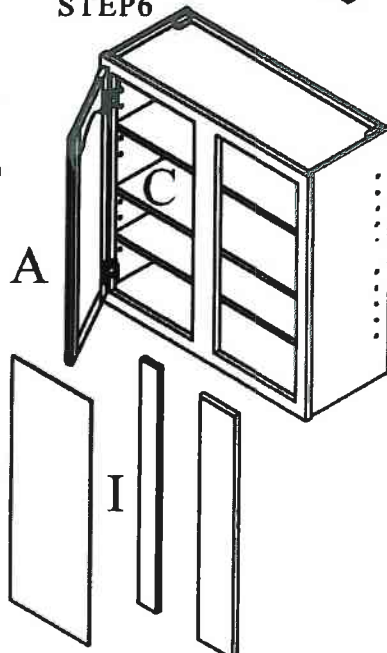
STEP4



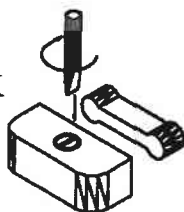
STEP5



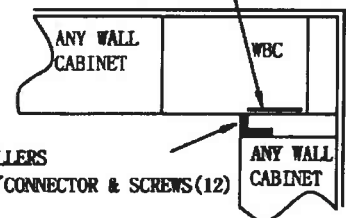
STEP6



LINK



LARGE FACE BOARD



FILLERS
"L"CONNECTOR & SCREWS(12)

ASSEMBLY INSTRUCTIONS

WALL DIGANAL CABINET (WDC2430, WDC2730)

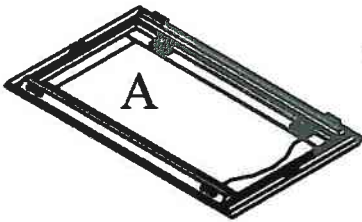
CABINET PARTS LIST

A-Door & Face Frame B-End Panels (2) B1-Back End Panels(2) C-Shelves (2)
D-Bottom Panel & Top Panel E-Back Panel

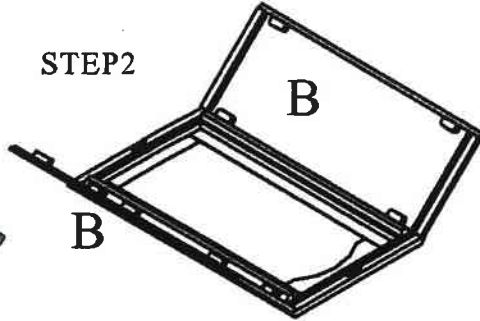
HARD WARE PARTS LIST

1. Shelf Clips(8) 2.Screws (Ø3*12)4

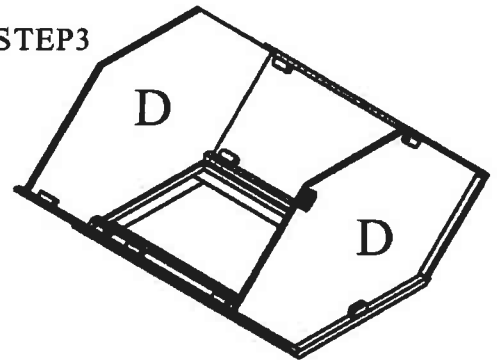
STEP1



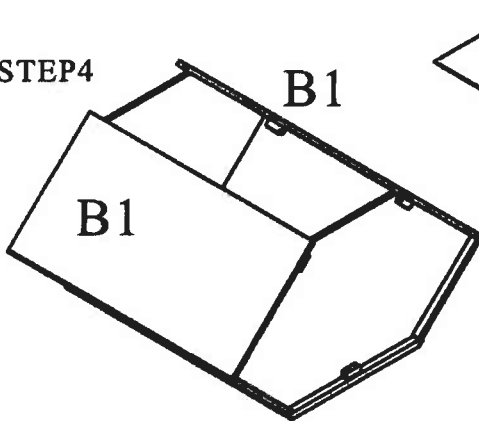
STEP2



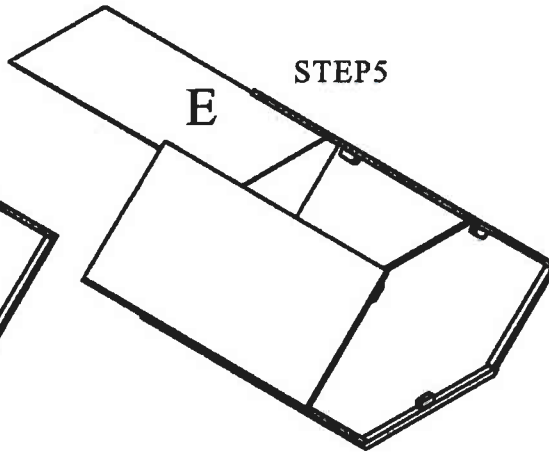
STEP3



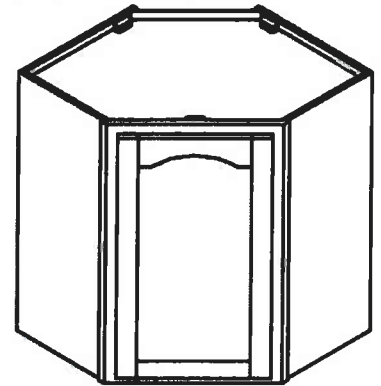
STEP4



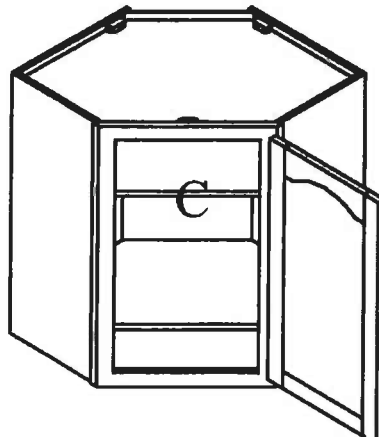
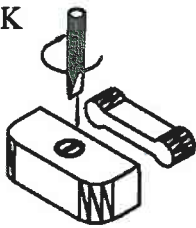
STEP5



STEP6



LINK



ASSEMBLY INSTRUCTIONS

WALL DIGANAL CABINET (WDC2442,WDC2742)

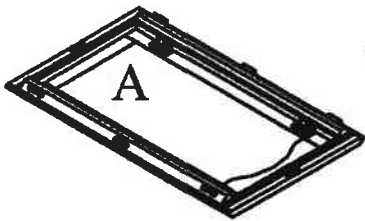
CABINET PARTS LIST

A-Door & Face Frame B-End Panels (2) B1-Back End Panels(2) C-Shelves (3)
D-Bottom Panel & Top Panel E-Back Panel

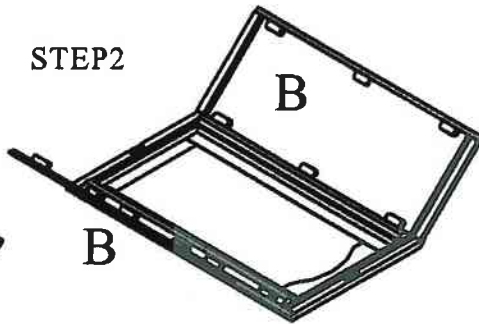
HARD WARE PARTS LIST

1. Shelf Clips(12) 2.Screws ($\Phi 3 \times 12$)4

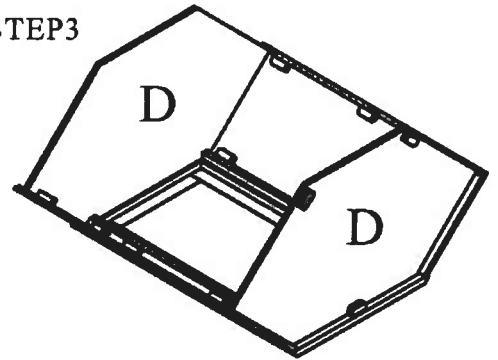
STEP1



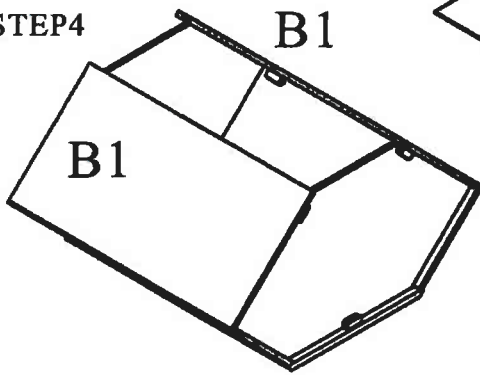
STEP2



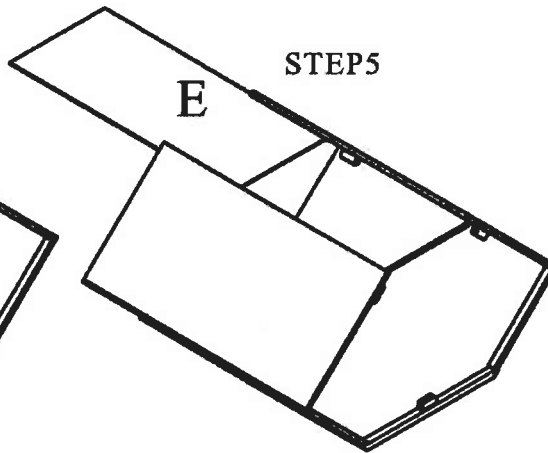
STEP3



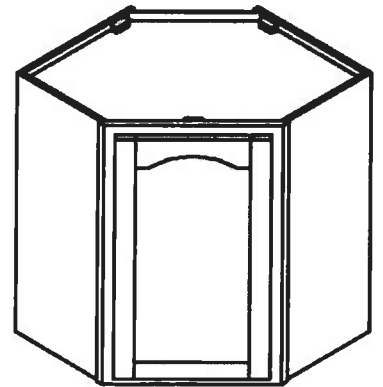
STEP4



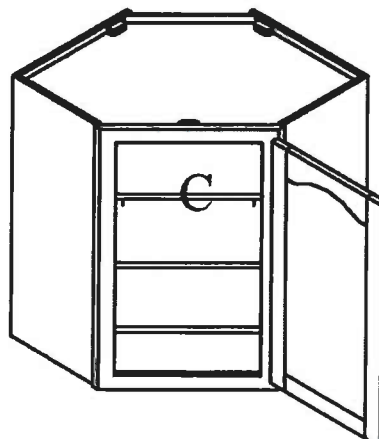
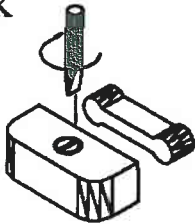
STEP5



STEP6



LINK



ASSEMBLY INSTRUCTIONS

PANTRY CABINET (WP1884, WP1896)

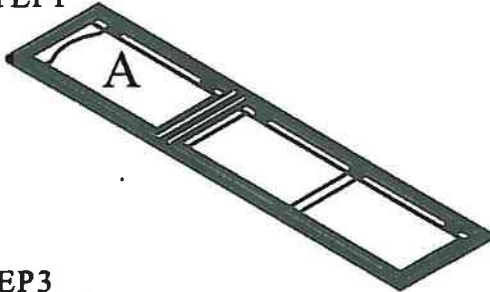
CABINET PARTS LIST

A-Door & Face Frame B-End Panels (2) C-Shelves (2) D-Top/Medium/Bottom Panels(3)
E-Back Panel H-Toe Kick

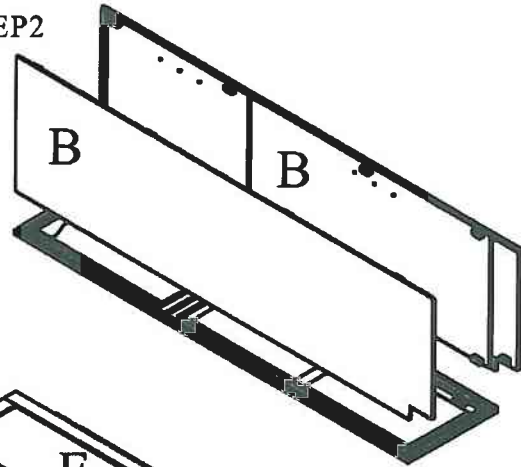
HARD WARE PARTS LIST

1. Shelf Clips(8)

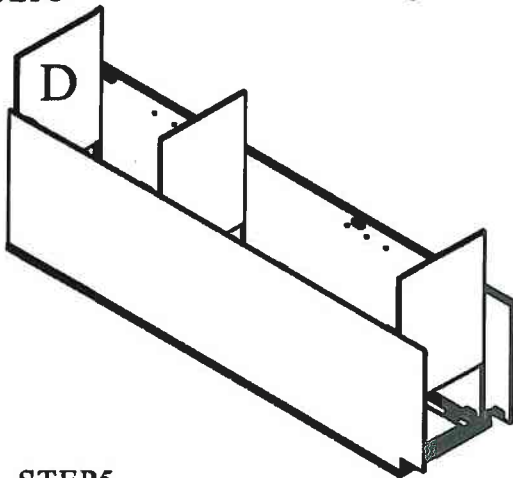
STEP1



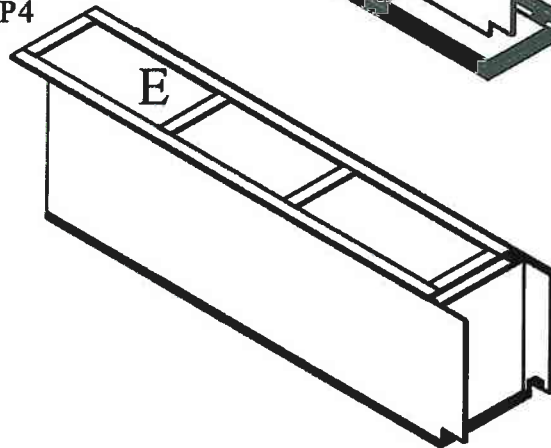
STEP2



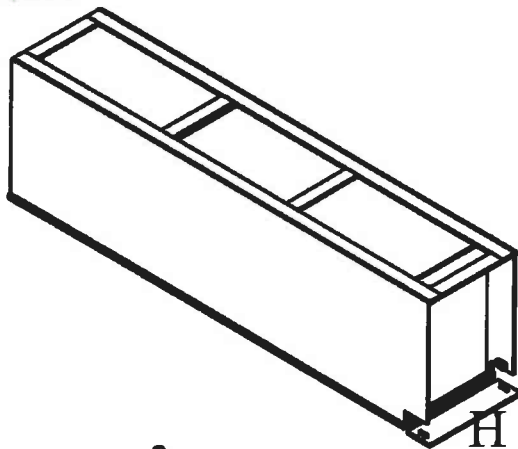
STEP3



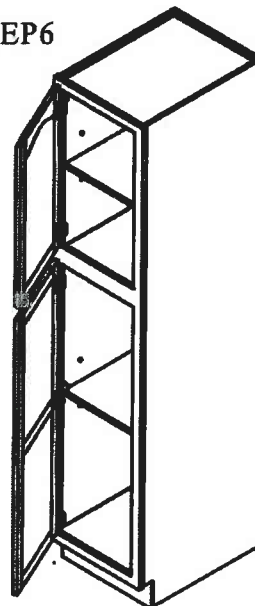
STEP4



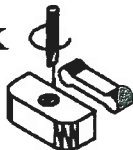
STEP5



STEP6



LINK



ASSEMBLY INSTRUCTIONS

PANTRY CABINET (WP2484, WP2496)

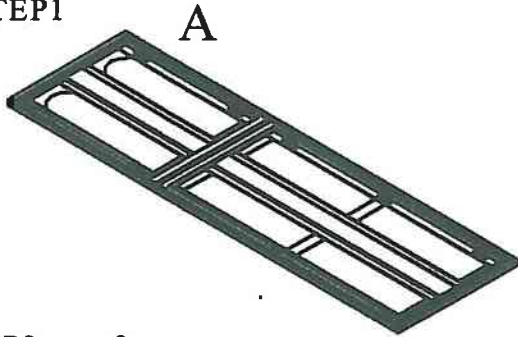
CABINET PARTS LIST

A-Door & Face Frame B-End Panels (2) C-Shelves (2) D-Top/Medium/Bottom Panels(3)
E-Back Panel H-Toe Kick

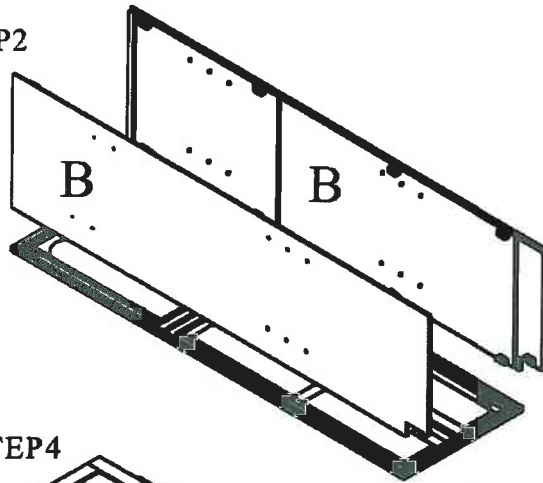
HARD WARE PARTS LIST

1. Shelf Clips(8)

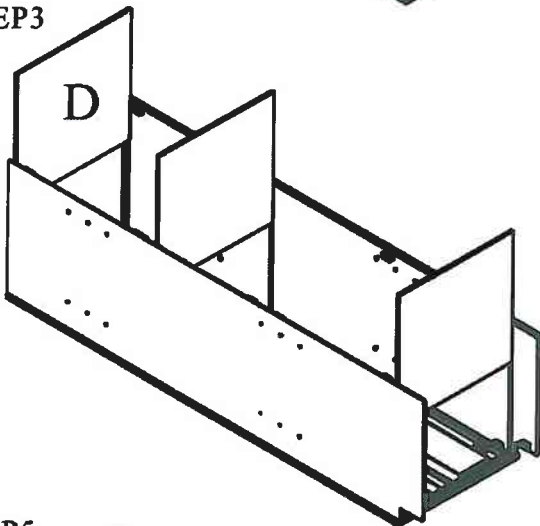
STEP1



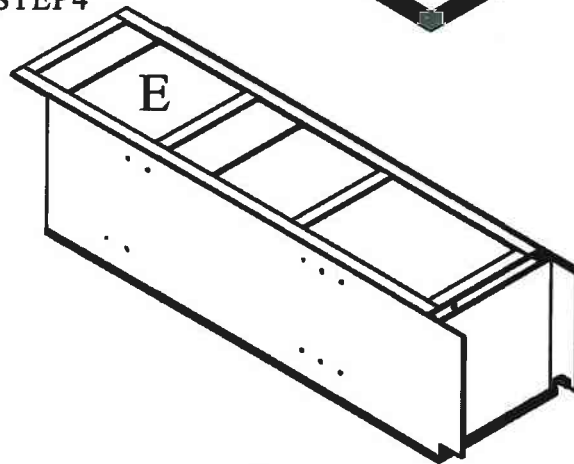
STEP2



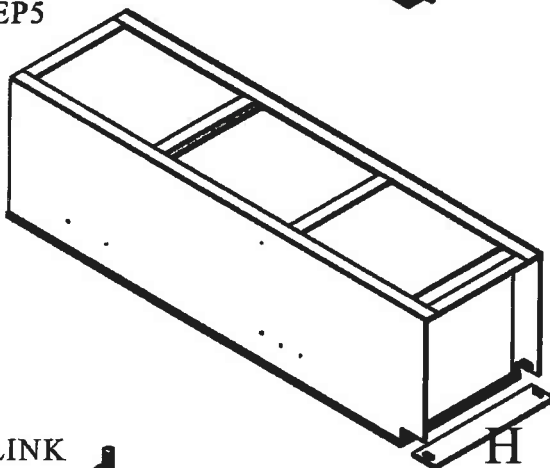
STEP3



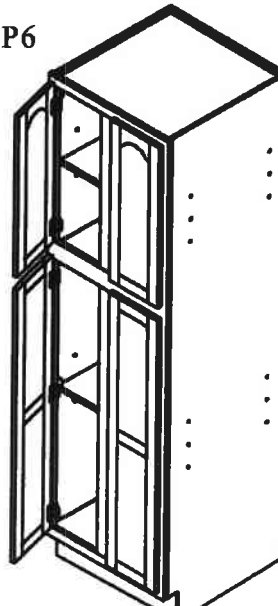
STEP4



STEP5



STEP6



LINK

